



深圳市永福隆电子有限公司

SHENZHEN YOFOLON ELECTRONIC CO LTD



AC/DC散热风扇 / 专业制造销售
Professional manufacturer since 2010
www.supercoolingfan.com

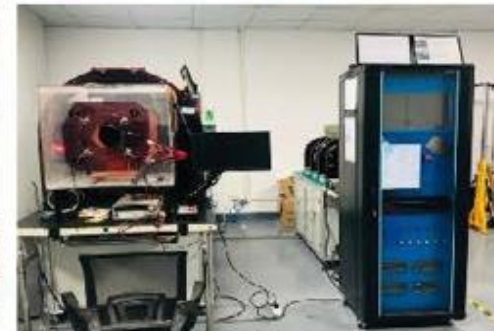


COMPANY INTRODUCTION



Shenzhen Yofolon Electronic CO., LTD. is a professional development, production and sale of AC Brushless fan and DC cooling fan and CPU heat sink of enterprises, we have more than 3 years OEM/ODM manufacturing experience and start export as our brand "YOFOLON" in 2013. Our products are mainly used in computer peripherals, household appliances, audio amplifier system, auto refrigerator, car containing equipment, instrumentation, mechanical equipment cooling ventilation. Products with low-noise, low power consumption, long life, high winds and other characteristics of the volume.

[view more](#)





ISO 9001



UKAS Quality Management System Certification

Certificate NO: 2435ES021630

Award

Shenzhen Yofolon Electronic Co., Ltd

2-4/F Block A, JuCheng Industry Park, 284# Huanguan Mid Rd, Guanlan, Shenzhen,China

The quality management system of the above organizations has been reviewed and complied with
GB/T 19001-2016 / ISO9001:2015

Requirements of applicable clauses of quality management system standards

This system is valid for the

**Dc cooling fan, ac cooling fan, blower cooling fan, axial cooling fan cross flow fan,,laptop cooling pad, gift fan ,
USB fan, cooling system products, mechanical and electronic products, Computer peripheral products, computer hardware and software and consumables, motor products and so on**

Under the condition that the certificate holder's management system continues to Meet the quality management system standards,the certification deadline is Three years. And query on www.cce-iso.com. The validity of this certificate must be confirmed by the center through regular supervision and review.

Date of issue: July 03, 2024

Valid period: July 02, 2027



Francis
Issue



Spain European Certified organization Limited

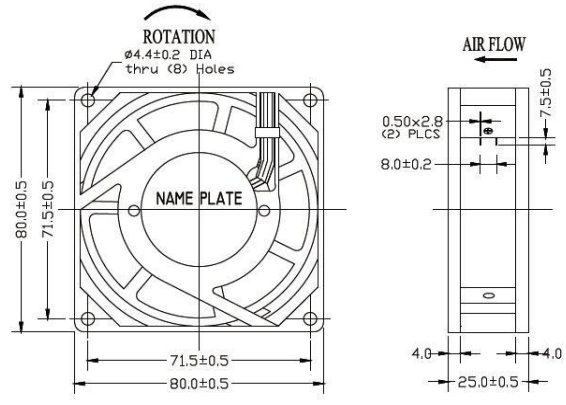
WWW.CCE-ISO.COM

PRODUCTION INFORMATION

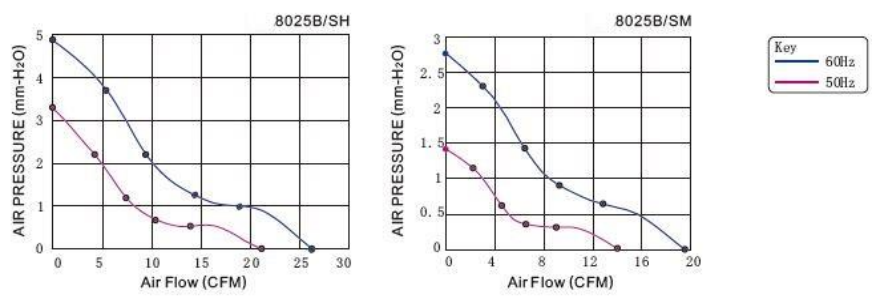
AC Axial Cooling Fan
 80x80x25mm Series
 Bearing Type: Sleeve, Ball, Hypro
 Frame: Die-cast Aluminum housing
 Impeller: Plastic PBT (UL 94V-0)
 Voltage : 110V 220V 380V available



DIMENSION DRAWING (Unit:mm)



FAN PERFORMANCE CURVE FLOWRATE CFM



YOFOLON Standard Fan Specification



SPECIFICATIONS:80x80x25mm AC FAN

Model No.	Bearing Type	Frequency (Hz)	Rated	Rated	Input	Speed (RPM)	Air	Static	Noise dB(A)	Weight (g)
	Ball & Sleeve		Voltage	Current	Power		Flow	Pressure		
	(B/S)		(V)	(A)	(W)		(CFM)	(mmH ₂ O)		
AC8025S11H	S	50/60	110~125	0.12	13.20	2800	21.50	4.68	33.5	200
AC8025S11M	S			0.10	11.00	2400	18.65	3.56	30.5	
AC8025S11L	S			0.08	8.80	2000	14.85	2.78	24.6	
AC8025B11H	B			0.12	13.20	2800	21.50	4.68	33.5	
AC8025B11M	B			0.10	11.00	2400	18.65	3.56	30.5	
AC8025B11L	B			0.08	8.80	2000	14.85	2.78	24.6	
AC8025S22H	S	50/60	220~240	0.10	22.00	2400	18.65	3.56	30.5	
AC8025S22M	S			0.08	17.60	2200	16.60	3.15	27.5	
AC8025S22L	S			0.06	13.20	2000	14.85	2.78	24.6	
AC8025B22H	B			0.10	22.00	2400	18.65	3.56	30.5	
AC8025B22M	B			0.08	17.60	2200	16.60	3.15	27.5	
AC8025B22L	B			0.06	13.20	2000	14.85	2.78	24.6	
AC8025S38H	S	50	380	0.07	26.60	2300	17.45	3.32	28.8	
AC8025B38H	B			0.07	26.60	2300	17.45	3.32	28.8	

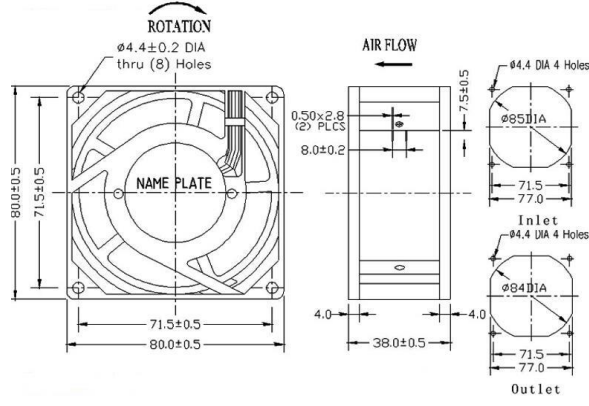
Notes: Specifications subject to change without notice!

PRODUCTION INFORMATION

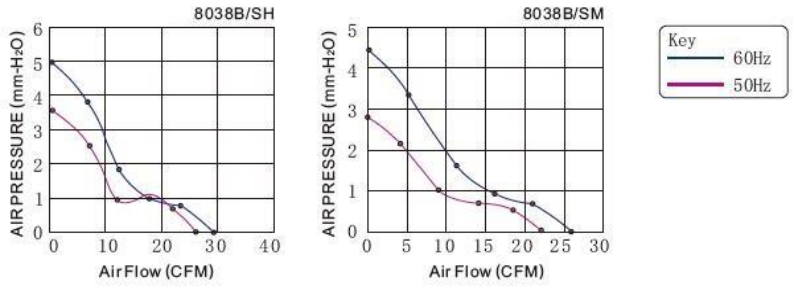
AC Axial Cooling Fan
 80x80x38mm Series
 Bearing Type: Sleeve, Ball, Hypro
 Frame: Die-cast Aluminum housing
 Impeller: Plastic PBT (UL 94V-0)
 Voltage : 110V 220V 380V available



DIMENSION DRAWING (Unit:mm)



FAN PERFORMANCE CURVE FLOWRATE CFM



YOFOLON Standard Specification



SPECIFICATIONS: 80x80x38mm AC FAN

Model No.	Bearing Type	Frequency	Rated Voltage	Rated Current	Input Power	Speed	Air	Static	Noise	Weight
	Ball & Sleeve						Flow	Pressure		
	(B/S)	(Hz)	(V)	(A)	(W)	(RPM)	(CFM)	(mmH ₂ O)	dB(A)	(g)
AC8038S11H	S	50/60	110~125	0.13	15.00	2800	28.25	5.16	34.5	340
AC8038S11M	S			0.11	12.65	2400	23.50	4.24	31.5	
AC8038S11L	S			0.09	10.35	2000	19.25	2.75	29.6	
AC8038B11H	B			0.13	15.00	2800	28.25	5.36	34.5	
AC8038B11M	B			0.11	12.65	2400	23.50	4.86	31.5	
AC8038B11L	B			0.09	10.35	2000	19.25	2.75	29.6	
AC8038S22H	S	50/60	220~240	0.11	24.20	2400	23.50	4.86	31.5	
AC8038S22M	S			0.09	19.80	2200	21.64	3.15	30.5	
AC8038S22L	S			0.08	17.60	2000	19.25	2.75	29.6	
AC8038B22H	B			0.11	24.20	2400	23.50	4.86	31.5	
AC8038B22M	B			0.09	19.80	2200	21.64	3.15	30.5	
AC8038B22L	B			0.08	17.60	2000	19.25	2.75	29.6	
AC8038S38H	S	50	380	0.09	34.20	2400	23.50	4.86	31.5	
AC8038B38H	B			0.09	34.20	2400	23.50	4.86	31.5	

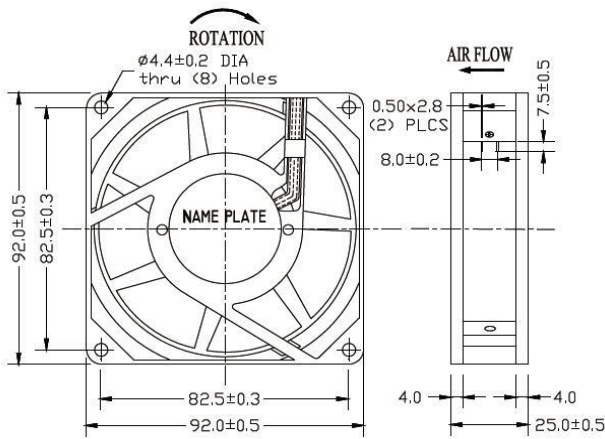
Notes: Specifications subject to change without notice!

PRODUCTION INFORMATION

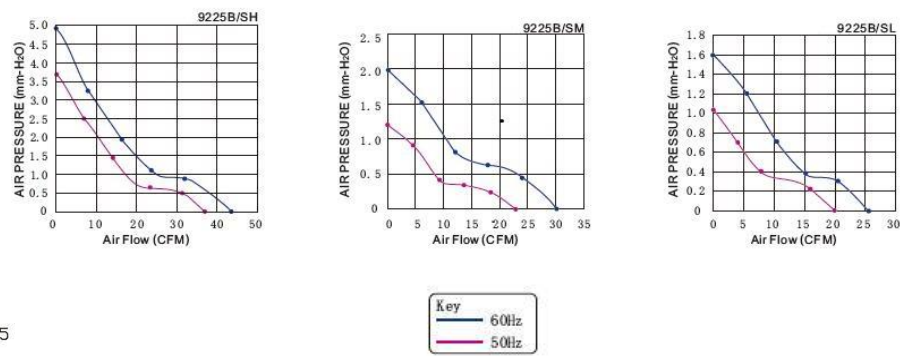
AC Axial Cooling Fan
 92x92x25mm Series
 Bearing Type: Sleeve, Ball, Hypro
 Frame: Die-cast Aluminum housing
 Impeller: Plastic PBT (UL 94V-0)
 Voltage : 110V 220V 380V available



DIMENSION DRAWING (Unit:mm)



FAN PERFORMANCE CURVE FLOWRATE CFM



YOFOLON Standard Fan Specification



SPECIFICATIONS:92x92x25mm AC FAN

Model No.	Bearing Type	Frequency	Rated Voltage	Rated Current	Input Power	Speed	Air	Static	Noise	Weight
	Ball & Sleeve						Flow	Pressure		
	(B/S)	(Hz)	(V)	(A)	(W)	(RPM)	(CFM)	(mmH ₂ O)	dB(A)	(g)
AC9225S11H	S	50/60	110~125	0.11	12.65	2900	36.50	4.83	37.50	240
AC9225S11M	S			0.09	10.35	2600	29.50	3.58	33.00	
AC9225S11L	S			0.07	8.05	2200	23.20	2.65	25.50	
AC9225B11H	B			0.11	12.65	2900	36.50	4.83	37.50	
AC9225B11M	B			0.09	10.35	2600	29.50	3.58	33.00	
AC9225B11L	B			0.07	8.05	2200	23.20	2.65	25.50	
AC9225S22H	S	50/60	220~240	0.10	22.00	2500	29.65	3.35	32.50	
AC9225S22M	S			0.08	17.60	2300	23.90	2.95	26.00	
AC9225S22L	S			0.06	13.20	2000	20.12	2.35	22.50	
AC9225B22H	B			0.10	22.00	2500	29.65	3.35	32.50	
AC9225B22M	B			0.08	17.60	2300	23.90	2.95	26.00	
AC9225B22L	B			0.06	13.20	2000	20.12	2.35	22.50	
AC9225S38H	S	50	380	0.07	26.60	2500	28.80	3.35	32.50	
AC9225B38H	B			0.07	26.60	2500	28.80	3.35	32.50	

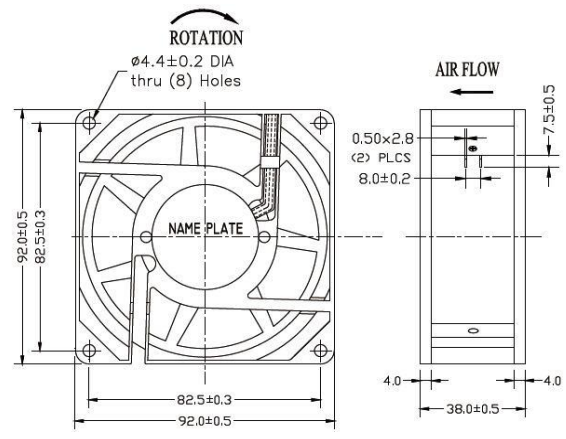
Notes: Specifications subject to change without notice!

PRODUCTION INFORMATION

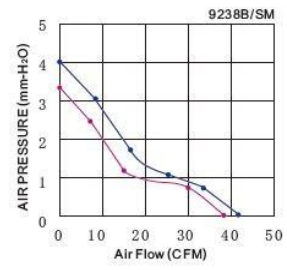
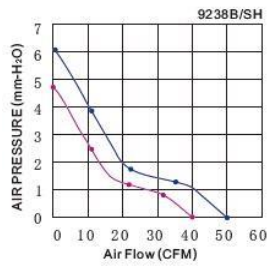
AC Axial Cooling Fan
92x92x38mm Series
Bearing Type: Sleeve, Ball, Hypro
Frame: Die-cast Aluminum housing
Impeller: Plastic PBT (UL 94V-0)
Voltage : 110V 220V 380V available



DIMENSION DRAWING (Unit:mm)



FAN PERFORMANCE CURVE FLOWRATE CFM



Key
— 60Hz
— 50Hz

YOFOLON Standard Fan Specification



SPECIFICATIONS:92x92x38mm AC FAN

Model No.	Bearing Type	Frequency	Rated Voltage	Rated Current	Input Power	Speed	Air	Static	Noise	Weight
	Ball & Sleeve						Flow	Pressure		
	(B/S)	(Hz)	(V)	(A)	(W)	(RPM)	(CFM)	(mmH ₂ O)	dB(A)	(g)
AC9238S11H	S	50/60	110~125	0.14	16.10	2800	48.20	5.56	36.2	350
AC9238S11M	S			0.11	12.65	2400	42.50	4.45	31.5	
AC9238S11L	S			0.09	10.35	2000	26.55	3.35	25.3	
AC9238B11H	B			0.14	16.10	2800	48.20	5.56	36.2	
AC9238B11M	B			0.11	12.65	2400	42.50	4.45	31.5	
AC9238B11L	B			0.09	10.35	2000	26.55	3.35	25.3	
AC9238S22H	S	50/60	220~240	0.12	26.40	2500	43.50	4.65	32.5	
AC9238S22M	S			0.10	22.00	2200	28.15	3.68	27.0	
AC9238S22L	S			0.08	17.60	1800	24.24	2.95	23.0	
AC9238B22H	B			0.12	26.40	2500	43.50	4.65	32.5	
AC9238B22M	B			0.10	22.00	2200	28.15	3.68	27.0	
AC9238B22L	B			0.08	17.60	1800	24.24	2.95	23.0	
AC9238S38H	S	50	380	0.09	34.20	2400	42.50	4.45	31.5	
AC9238B38H	B			0.09	34.20	2400	42.50	4.45	31.5	

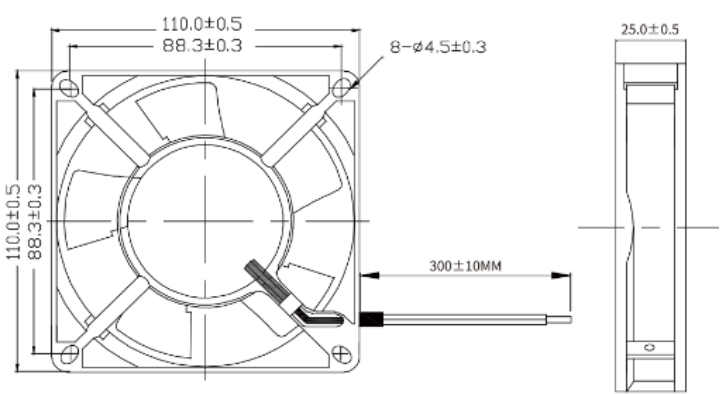
Notes: Specifications subject to change without notice!

PRODUCTION INFORMATION

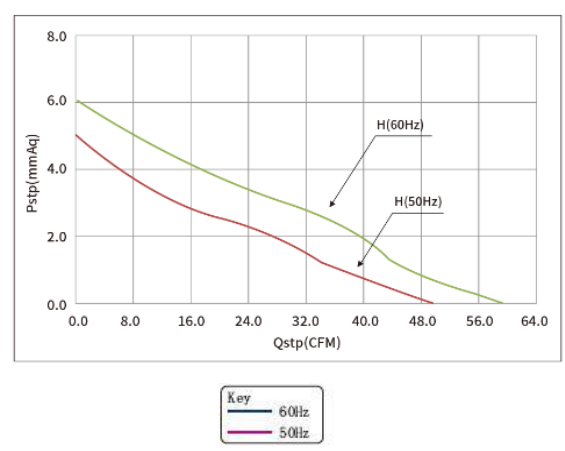
AC Axial Cooling Fan
 110x110x25mm Series
 Bearing Type: Sleeve, Ball, Hypro
 Frame: Die-cast Aluminum housing
 Impeller: Plastic PBT (UL 94V-0)
 Voltage : 110V 220V 380V available



DIMENSION DRAWING (Unit:mm)



FAN PERFORMANCE CURVE FLOWRATE CFM



YOFOLON Standard Fan Specification

SPECIFICATIONS: 110x110x25mm AC FAN										
Model No.	Bearing Type	Frequency	Rated Voltage	Rated Current	Input Power	Speed	Air	Static	Noise	Weight
	Ball & Sleeve						Flow	Pressure		
	(B/S)	(Hz)	(V)	(A)	(W)	(RPM)	(CFM)	(mmH ₂ O)	dB(A)	(g)
AC11025S11H	S	50/60	110~125	0.15	16.50	2700	48.50	4.25	37.5	300
AC11025S11M	S			0.12	13.20	2300	40.60	3.36	32.0	
AC11025S11L	S			0.09	9.90	1800	31.50	2.75	27.8	
AC11025B11H	B			0.15	16.50	2700	48.50	4.25	37.5	
AC11025B11M	B			0.12	13.20	2300	40.60	3.36	32.0	
AC11025B11L	B			0.09	9.90	1800	31.50	2.75	27.8	
AC11025S22H	S	50/60	220~240	0.12	26.40	2400	42.50	3.86	35.5	
AC11025S22M	S			0.10	22.00	2000	36.60	3.40	30.2	
AC11025S22L	S			0.08	17.60	1700	28.50	2.87	26.0	
AC11025B22H	B			0.12	26.40	2400	42.50	3.86	35.5	
AC11025B22M	B			0.10	22.00	2000	36.60	3.40	30.2	
AC11025B22L	B			0.08	17.60	1700	28.50	2.87	26.0	
AC11025S38H	S	50	380	0.06	22.80	2400	42.50	3.86	35.5	
AC11025B38H	B			0.06	22.80	2400	42.50	3.86	35.5	

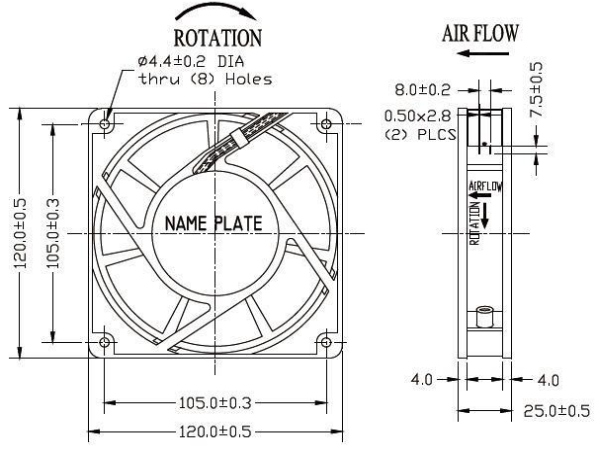
Notes: Specifications subject to change without notice!

PRODUCTION INFORMATION

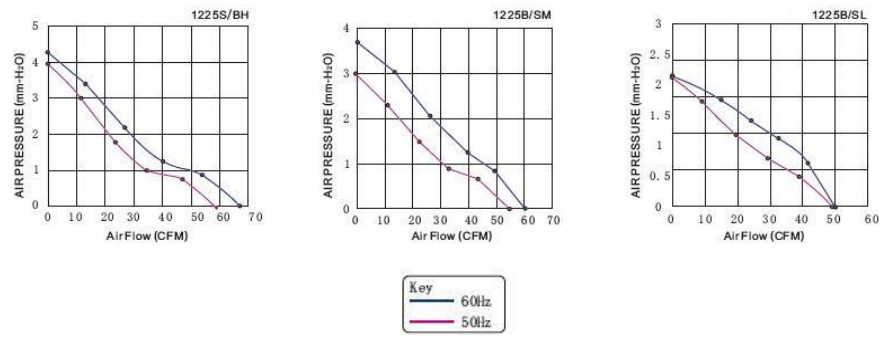
AC Axial Cooling Fan
 120x120x25mm Series
 Bearing Type: Sleeve, Ball, Hypro
 Frame: Die-cast Aluminum housing
 Impeller: Plastic PBT (UL 94V-0)
 Voltage : 110V 220V 380V available



DIMENSION DRAWING (Unit:mm)



FAN PERFORMANCE CURVE FLOWRATE CFM



YOFOLON Standard Fan Specification

Model No.	Bearing Type	Frequency	Rated Voltage	Rated Current	Input Power	Speed	Air	Static	Noise	Weight
	Ball & Sleeve						Flow	Pressure		
	(B/S)						(CFM)	(mmH ₂ O)		
	(Hz)	(V)	(A)	(W)	(RPM)	(CFM)	(mmH ₂ O)	dB(A)	(g)	
AC1225S11H	S	50/60	110~125	0.18	20.70	2400	76.50	4.05	40.5	360
AC1225S11M	S			0.15	17.25	2000	56.80	3.20	35.0	
AC1225S11L	S			0.11	12.65	1700	47.50	2.65	29.0	
AC1225B11H	B			0.18	20.70	2400	76.50	4.05	40.5	
AC1225B11M	B			0.15	17.25	2000	56.80	3.20	35.0	
AC1225B11L	B			0.11	12.65	1700	47.50	2.65	29.0	
AC1225S22H	S	50/60	220~240	0.09	19.80	2200	66.20	3.56	38.0	
AC1225S22M	S			0.07	15.40	2000	56.80	3.20	35.0	
AC1225S22L	S			0.05	11.00	1800	49.60	2.74	30.0	
AC1225B22H	B			0.09	19.80	2200	66.20	3.56	31.5	
AC1225B22M	B			0.07	15.40	2000	56.80	3.20	27.0	
AC1225B22L	B			0.05	11.00	1800	49.60	2.74	23.0	
AC1225S38H	S	50	380	0.06	22.80	2200	66.20	3.56	38.0	
AC1225B38H	B			0.06	22.80	2200	66.20	3.56	38.0	

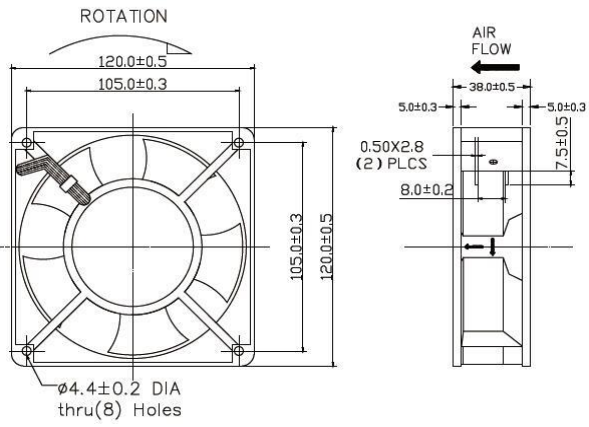
Notes: Specifications subject to change without notice!

PRODUCTION INFORMATION

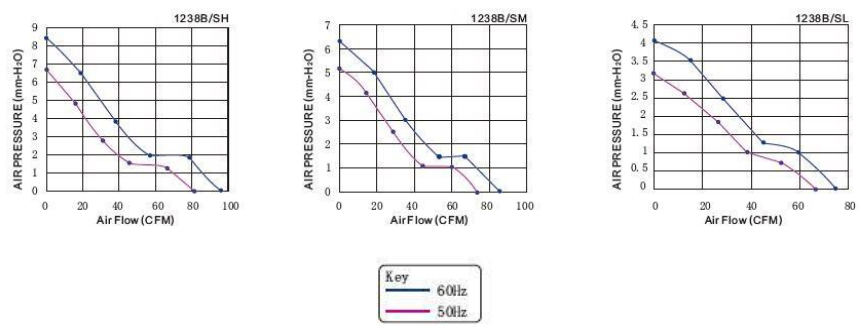
AC Axial Cooling Fan
 120x120x38mm Series
 Bearing Type: Sleeve, Ball, Hypro
 Frame: Die-cast Aluminum housing
 Impeller: Plastic PBT (UL 94V-0)
 Voltage : 110V 220V 380V available



DIMENSION DRAWING (Unit:mm)



FAN PERFORMANCE CURVE FLOWRATE CFM



YOFOLON Standard Fan Specification

SPECIFICATIONS: 120x120x38mm AC FAN										
Model No.	Bearing Type	Frequency	Rated Voltage	Rated Current	Input Power	Speed	Air	Static	Noise	Weight
	Ball & Sleeve						Flow	Pressure		
	(B/S)	(Hz)	(V)	(A)	(W)	(RPM)	(CFM)	(mmH ₂ O)	dB(A)	(g)
AC1238S11H	S	50/60	110~125	0.20	22.00	2900	110.00	7.60	44.6	540
AC1238S11M	S			0.15	17.25	2300	70.50	5.00	36.0	
AC1238S11L	S			0.12	11.50	1800	60.20	4.50	29.5	
AC1238B11H	B			0.20	22.00	2900	110.00	7.60	44.6	
AC1238B11M	B			0.15	17.25	2300	70.50	5.00	36.0	
AC1238B11L	B			0.12	11.50	1800	60.20	4.50	29.5	
AC1238S22H	S	50/60	220~240	0.12	26.40	2700	96.50	6.40	40.0	
AC1238S22M	S			0.09	19.80	2400	75.60	5.60	37.0	
AC1238S22L	S			0.08	17.60	2000	66.00	4.80	31.6	
AC1238B22H	B			0.12	26.40	2700	96.50	6.40	40.0	
AC1238B22M	B			0.09	19.80	2400	75.60	5.60	37.0	
AC1238B22L	B			0.08	17.60	2000	66.00	4.80	31.6	
AC1238S38H	S	50	380	0.07	26.60	2600	91.00	6.35	39.0	
AC1238B38H	B			0.07	26.60	2600	91.00	6.35	39.0	

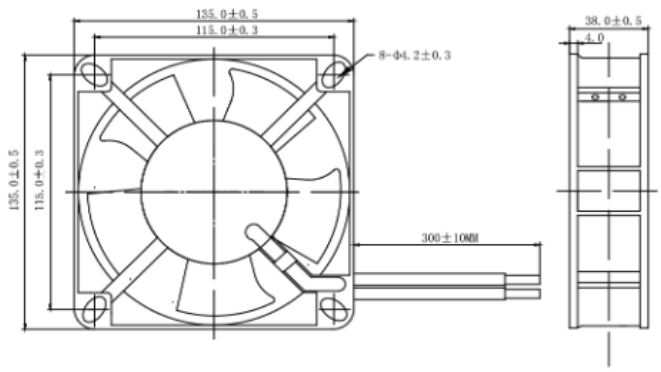
Notes: Specifications subject to change without notice!

PRODUCTION INFORMATION

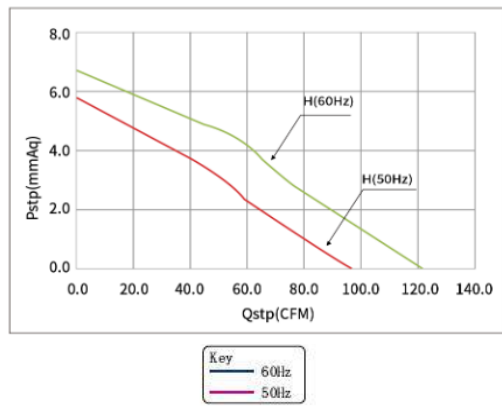
AC Axial Cooling Fan
 135x135x38mm Series
 Bearing Type: Sleeve, Ball
 Frame: Die-cast Aluminum housing
 Impeller: Plastic PBT (UL 94V-0)
 Voltage : 110V 220V 380V available



DIMENSION DRAWING (Unit:mm)



FAN PERFORMANCE CURVE FLOWRATE CFM



YOFOLON Standard Fan Specification

SPECIFICATIONS: 135x135x38mm AC FAN										
Model No.	Bearing Type	Frequency	Rated Voltage	Rated Current	Input Power	Speed	Air	Static	Noise	Weight
	Ball & Sleeve						Flow	Pressure		
	(B/S)	(Hz)	(V)	(A)	(W)	(RPM)	(CFM)	(mmH ₂ O)	dB(A)	(g)
AC13538S11H	S	50/60	110~125	0.22	24.20	2800	122.00	6.70	48.6	570
AC13538S11M	S			0.18	19.80	2400	97.00	5.80	43.0	
AC13538S11L	S			0.13	14.30	2000	73.00	4.65	38.5	
AC13538B11H	B			0.22	24.20	2800	122.00	6.70	48.6	
AC13538B11M	B			0.18	19.80	2400	97.00	5.80	43.0	
AC13538B11L	B			0.13	14.30	2000	73.00	4.65	38.5	
AC13538S22H	S	50/60	220~240	0.14	30.80	2800	122.00	6.70	48.6	
AC13538S22M	S			0.10	22.00	2400	97.00	5.80	43.0	
AC13538S22L	S			0.07	15.40	2000	73.00	4.65	38.5	
AC13538B22H	B			0.14	30.80	2800	122.00	6.70	48.6	
AC13538B22M	B			0.10	22.00	2400	97.00	5.80	43.0	
AC13538B22L	B			0.07	15.40	2000	73.00	4.65	38.5	
AC13538S38H	S	50	380	0.07	26.60	2800	122.00	6.70	48.6	
AC13538B38H	B			0.07	26.60	2800	122.00	6.70	48.6	

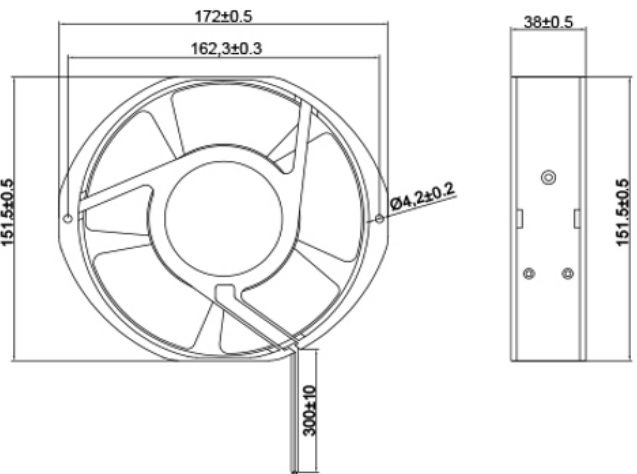
Notes: Specifications subject to change without notice!

PRODUCTION INFORMATION

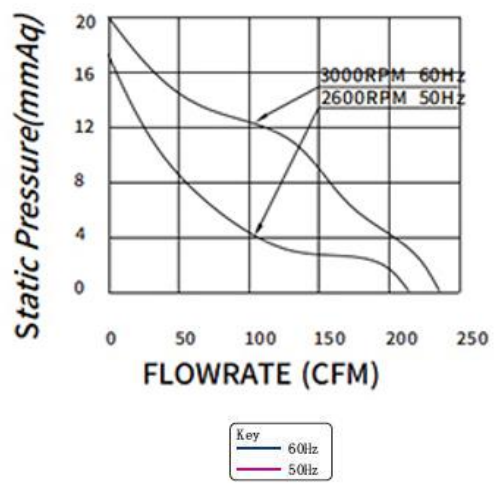
AC Axial Cooling Fan
172x150x38mm Series
Bearing Type: Sleeve, Ball
Frame: Die-cast Aluminum housing
Impeller: Plastic PBT (UL 94V-0)
Voltage : 110V 220V 380V available



DIMENSION DRAWING (Unit:mm)



FAN PERFORMANCE CURVE FLOWRATE CFM



YOFOLON Standard Fan Specification

YOFOLON		SPECIFICATIONS: 172x150x38mm AC FAN								
Model No.	Bearing Type	Frequency	Rated Voltage	Rated Current	Input Power	Speed	Air	Static	Noise	Weight
	Ball & Sleeve						Flow	Pressure		
	(B/S)	(Hz)	(V)	(A)	(W)	(RPM)	(CFM)	(mmH ₂ O)	dB(A)	(g)
AC17238S11H	S	60	110~125	0.47	51.70	3000	172.00	14.10	56.0	760
AC17238S11M	S			0.40	44.00	2600	152.00	12.34	51.0	
AC17238B11H	B			0.47	51.70	3000	172.00	14.10	56.0	
AC17238B11M	B			0.40	44.00	2600	152.00	12.34	51.0	
AC17238S22H	S	50	220~240	0.20	44.00	3000	172.00	14.10	56.0	
AC17238S22M	S			0.17	37.40	2600	152.00	12.34	51.0	
AC17238B22H	B			0.20	44.00	3000	172.00	14.10	56.0	
AC17238B22M	B			0.17	37.40	2600	152.00	12.34	51.0	
AC17238S38H	S	50	380	0.12	45.60	3000	172.00	14.10	56.0	
AC17238B38H	B			0.12	45.60	3000	172.00	14.10	51.0	

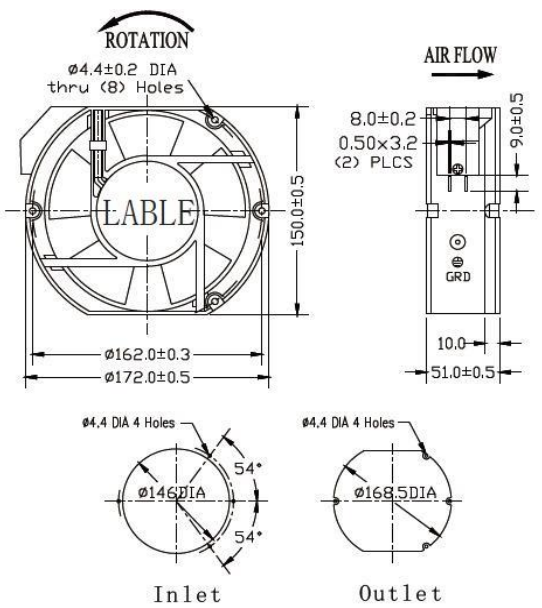
Notes: Specifications subject to change without notice!

PRODUCTION INFORMATION

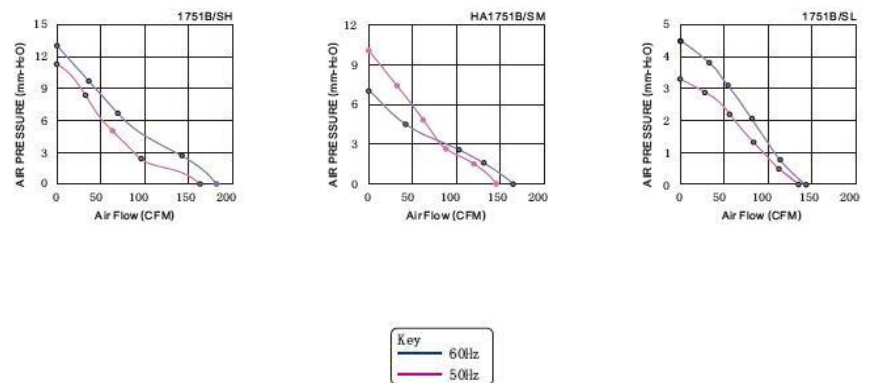
AC Axial Cooling Fan
 172x150x51mm Series
 Bearing Type: Sleeve, Ball
 Frame: Die-cast Aluminum housing
 Impeller: Plastic PBT (UL 94V-0)
 Voltage : 110V 220V 380V available



DIMENSION DRAWING (Unit:mm)



FAN PERFORMANCE CURVE FLOWRATE CFM



YOFOLON Standard Fan Specification

SPECIFICATIONS: 172x150x51mm AC FAN										
Model No.	Bearing Type	Frequency	Rated Voltage	Rated Current	Input Power	Speed	Air	Static	Noise	Weight
	Ball & Sleeve						Flow	Pressure		
	(B/S)	(Hz)	(V)	(A)	(W)	(RPM)	(CFM)	(mmH ₂ O)	dB(A)	(g)
AC17251S11H	S	60	110~125	0.45	51.75	3000	220.00	17.35	50.0	900
AC17251S11M	S			0.40	46.00	2300	168.00	14.20	41.0	
AC17251S11L	S			0.35	40.25	1500	110.00	6.20	32.0	
AC17251B11H	B			0.45	51.75	3000	220.00	17.35	50.0	
AC17251B11M	B			0.40	46.00	2300	168.00	14.20	41.0	
AC17251B11L	B			0.35	40.25	1500	110.00	6.20	32.0	
AC17251S22H	S	50	220~240	0.22	48.40	2700	198.00	15.95	46.0	
AC17251S22M	S			0.19	41.80	2400	175.00	14.88	42.0	
AC17251S22L	S			0.16	35.20	2000	136.00	8.56	38.0	
AC17251B22H	B			0.22	48.40	2700	198.00	15.95	46.0	
AC17251B22M	B			0.19	41.80	2400	175.00	14.88	42.0	
AC17251B22L	B			0.16	35.20	2000	136.00	8.56	38.0	
AC17251S38H	S	50	380	0.11	41.80	2700	198.00	15.95	46.0	
AC17251B38H	B			0.11	41.80	2700	198.00	15.95	46.0	

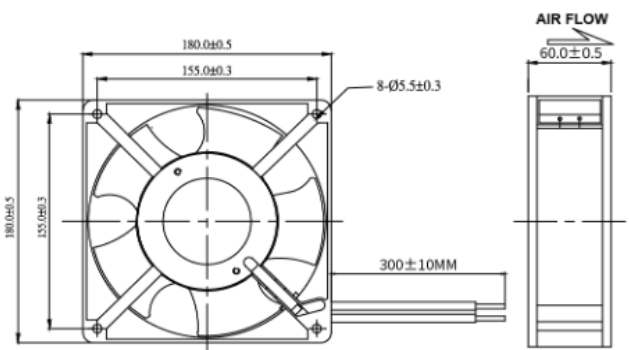
Notes: Specifications subject to change without notice!

PRODUCTION INFORMATION

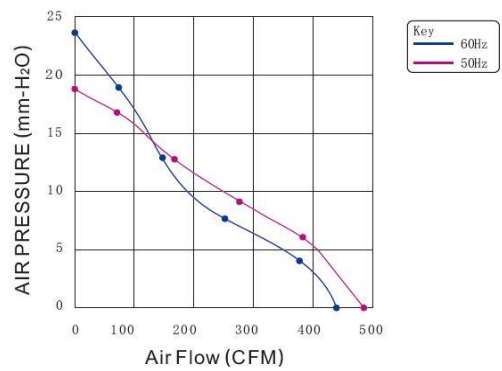
AC Axial Cooling Fan
 180x180x60mm Series
 Bearing Type: Dual Ball
 Frame: Die-cast Aluminum housing
 Impeller: Plastic PBT (UL 94V-0)
 Voltage : 110V 220V 380V available



DIMENSION DRAWING (Unit:mm)



FAN PERFORMANCE CURVE FLOWRATE CFM



YOFOLON Standard Fan Specification



SPECIFICATIONS: 180x180x60mm AC FAN

Model No.	Bearing Type	Frequency (Hz)	Rated	Rated	Input	Speed (RPM)	Air	Static	Noise (dB(A))	Weight (g)
	Ball Only		Voltage	Current	Power		Flow	Pressure		
	(B)		(V)	(A)	(W)		(CFM)	(mmH ₂ O)		
AC18060B11H	B	50/60	110~125	0.70	77.00	2800	360.00	20.15	64.0	1220
AC18060B11M	B			0.40	44.00	2400	285.00	15.63	57.0	
AC18060B11L	B			0.30	33.00	2000	216.00	10.86	51.0	
AC18060B22H	B	50/60	220~240	0.30	66.00	2800	360.00	20.15	64.0	
AC18060B22M	B			0.25	55.00	2400	285.00	15.63	57.0	
AC18060B22L	B			0.20	44.00	2000	216.00	10.86	51.0	
AC18060B38H	B	50	380	0.20	76.00	2800	360.00	20.15	64.0	

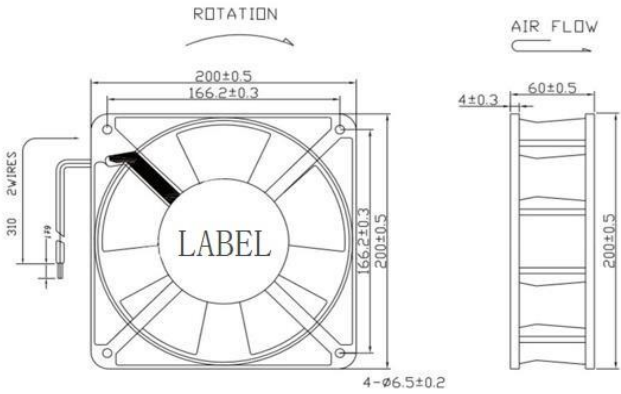
Notes: Specifications subject to change without notice!

PRODUCTION INFORMATION

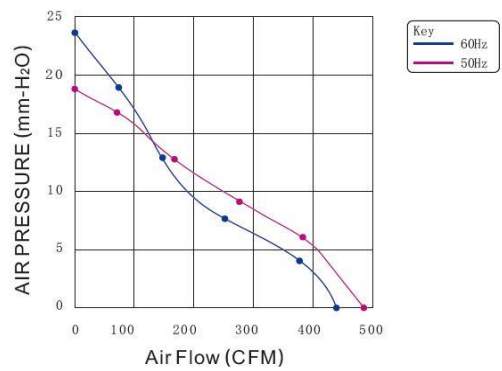
AC Axial Cooling Fan
 200x200x60mm Series
 Bearing Type: Dual Ball
 Frame: Die-cast Aluminum housing
 Impeller: Plastic PBT (UL 94V-0)
 Voltage : 110V 220V 380V available



DIMENSION DRAWING (Unit:mm)



FAN PERFORMANCE CURVE FLOWRATE CFM



YOFOLON Standard Fan Specification

YOFOLON		SPECIFICATIONS:200x200x60mm AC FAN								
Model No.	Bearing Type	Frequency	Rated Voltage	Rated Current	Input Power	Speed	Air	Static	Noise	Weight
	Ball Only						Flow	Pressure		
	(B)						(CFM)	(mmH ₂ O)		
AC20060B11H	B	50/60	110~125	0.75	82.50	2800	385.00	22.35	61.0	1300
AC20060B11M	B			0.45	49.50	2400	320.00	18.20	54.0	
AC20060B11L	B			0.32	35.20	2000	260.00	14.20	49.0	
AC20060B22H	B	50/60	220~240	0.35	77.00	2800	385.00	22.35	61.0	
AC20060B22M	B			0.28	61.60	2400	320.00	18.20	54.0	
AC20060B22L	B			0.22	48.40	2000	260.00	14.20	49.0	
AC20060B38H	B	50	380	0.28	106.40	2400	320.00	18.20	54.0	

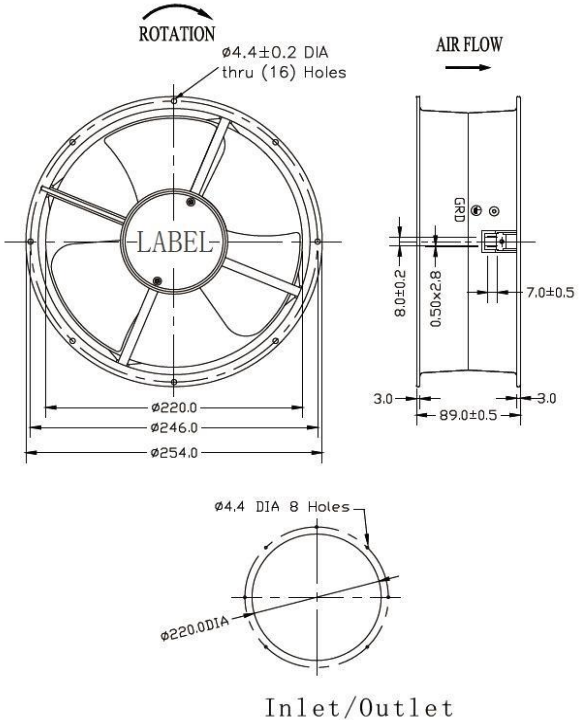
Notes: Specifications subject to change without notice!

PRODUCTION INFORMATION

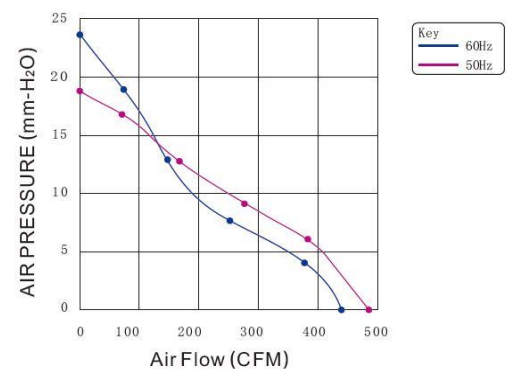
AC Axial Cooling Fan
 220x220x60mm Series
 Bearing Type: Dual Ball
 Frame: Die-cast Aluminum housing
 Impeller: Plastic PBT (UL 94V-0)
 Voltage : 110V 220V 380V available



DIMENSION DRAWING (Unit:mm)



FAN PERFORMANCE CURVE FLOWRATE CFM



YOFOLON Standard Fan Specification

SPECIFICATIONS: D220x60mm AC FAN										
Model No.	Bearing Type	Frequency	Rated Voltage	Rated Current	Input Power	Speed	Air	Static	Noise	Weight
	Ball Only						Flow	Pressure		
	(B)						(CFM)	(mmH ₂ O)		
AC22060B11H	B	50/60	110~125	0.80	88.00	2800	405.00	27.50	66.0	1450
AC22060B11M	B			0.45	49.50	2400	366.00	23.30	57.0	
AC22060B11L	B			0.35	38.50	2000	315.00	18.50	51.0	
AC22060B22H	B	50/60	220~240	0.28	61.60	2800	405.00	27.50	66.0	
AC22060B22M	B			0.20	44.00	2400	366.00	23.30	57.0	
AC22060B22L	B			0.14	30.80	2000	315.00	18.50	51.0	
AC22060B38H	B	50	380	0.16	60.80	2400	366.00	23.30	57.0	

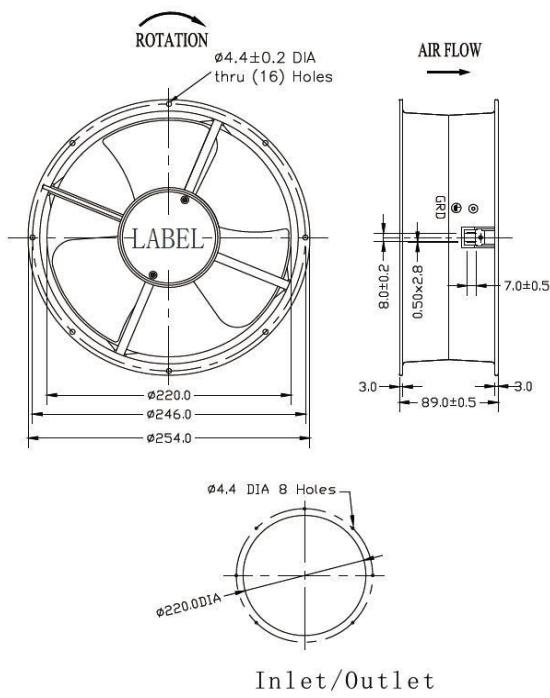
Notes: Specifications subject to change without notice!

PRODUCTION INFORMATION

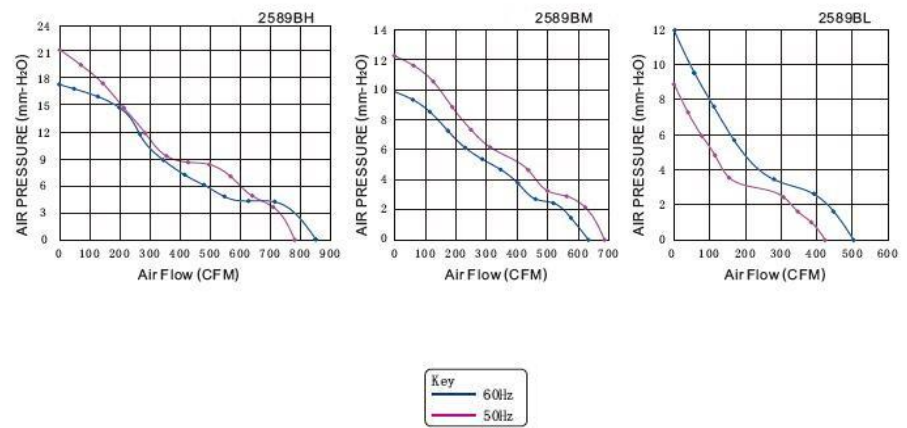
AC Axial Cooling Fan
 254x254x89mm Series
 Bearing Type: Dual Ball
 Frame: Die-cast Aluminum housing
 Impeller: Plastic PBT (UL 94V-0)
 Voltage : 110V 220V 380V available



DIMENSION DRAWING (Unit:mm)



FAN PERFORMANCE CURVE FLOWRATE CFM



Key
 — 60Hz
 — 50Hz

YOFOLON Standard Fan Specification

Model No.	Bearing Type	Frequency	Rated Voltage	Rated Current	Input Power	Speed	Air	Static	Noise	Weight
	Ball Only						Flow	Pressure		
	(B)						(CFM)	(mmH ₂ O)		
AC25489B11H	B	50/60	110~125	0.80	88.00	2600	860.0	20.50	80.0	2300
AC25489B11M	B			0.60	66.00	2200	750.0	12.15	65.0	
AC25489B11L	B			0.32	35.20	1800	560.0	8.90	53.0	
AC25489B22H	B	50/60	220~240	0.40	88.00	2600	860.0	20.50	80.0	
AC25489B22M	B			0.30	66.00	2200	750.0	12.15	65.0	
AC25489B22L	B			0.20	44.00	1800	560.0	8.90	53.0	
AC25489B38H	B	50	380	0.24	91.20	2600	860.0	20.50	80.0	
AC25489B38M	B			0.18	68.40	2200	750.0	12.15	65.0	

Notes: Specifications subject to change without notice!