

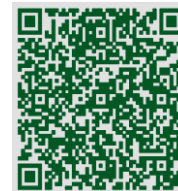


深圳市永福隆电子有限公司

SHENZHEN YOFOLON ELECTRONIC CO LTD



AC/DC散热风扇 / 专业制造销售
Professional manufacturer since 2010
www.supercoolingfan.com

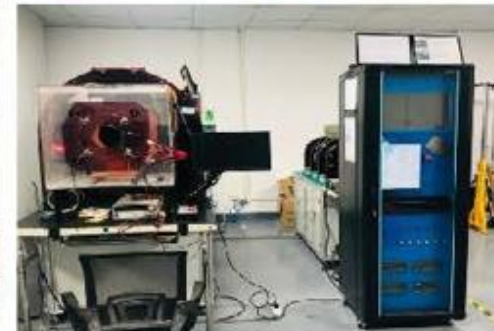


COMPANY INTRODUCTION



Shenzhen Yofolon Electronic CO., LTD. is a professional development, production and sale of AC Brushless fan and DC cooling fan and CPU heat sink of enterprises, we have more than 3 years OEM/ODM manufacturing experience and start export as our brand "YOFOLON" in 2013. Our products are mainly used in computer peripherals, household appliances, audio amplifier system, auto refrigerator, car containing equipment, instrumentation, mechanical equipment cooling ventilation. Products with low-noise, low power consumption, long life, high winds and other characteristics of the volume.

[view more](#)





ISO 9001



UKAS Quality Management System Certification

Certificate NO: 2435ES021630

Award

Shenzhen Yofolon Electronic Co., Ltd

2-4/F Block A, JuCheng Industry Park, 284# Huanguan Mid Rd, Guanlan, Shenzhen,China

The quality management system of the above organizations has been reviewed and complied with
GB/T 19001-2016 / ISO9001:2015

Requirements of applicable clauses of quality management system standards

This system is valid for the

**Dc cooling fan, ac cooling fan, blower cooling fan, axial cooling fan cross flow fan,,laptop cooling pad, gift fan ,
USB fan, cooling system products, mechanical and electronic products, Computer peripheral products, computer hardware and software and consumables, motor products and so on**

Under the condition that the certificate holder's management system continues to Meet the quality management system standards,the certification deadline is Three years. And query on www.cce-iso.com. The validity of this certificate must be confirmed by the center through regular supervision and review.

Date of issue: July 03, 2024

Valid period: July 02, 2027



Francis
Issue



Spain European Certified organization Limited

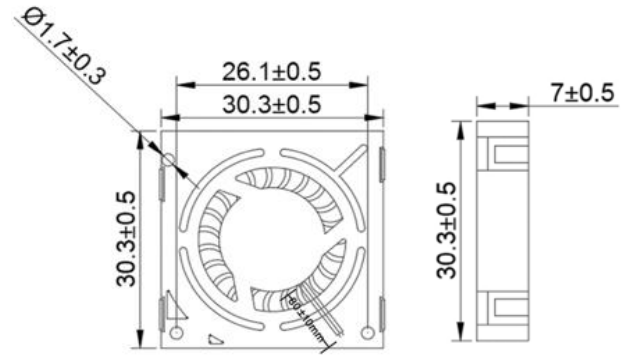
WWW.CCE-ISO.COM

PRODUCTION INFORMATION

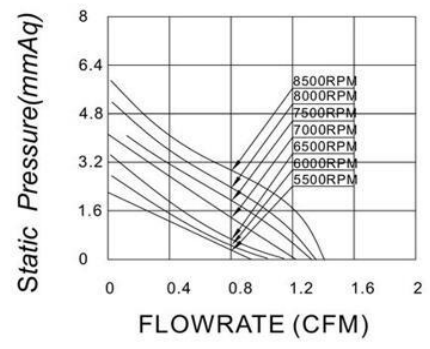
DC Brushless Blower Fan
30x30x7mm Series
Bearing Type: Sleeve, Hypro
Material: Plastic PBT (UL 94V-0)
Voltage : 5V 12V available



DIMENSION DRAWING (Unit:mm)



FAN PERFORMANCE CURVE FLOWRATE CFM



AVAILABLE FAN FUNCTIONS

1. 马达保护 (Motor protection)

RP	SS	LP	CL	OVP
●	●	●	●	○

1. 信号输出 (Signal out put)

FG	RD	RDB	LD	
●	●	●	●	

1. 调速方式 (Speed control mode)

PWM	TC	VC	CC	CS
●	●	●	●	●



SPECIFICATIONS: 30x30x7mm Blower Fan

Model No.	Bearing Type	Rated	Operation	Rated	Input	Speed (RPM)	Air	Static	Noise dB(A)	Weight (g)
	Ball & Sleeve	Voltage	Voltage	Current	Power		Flow	Pressure		
	(B/S/H)	(V)	(V)	(A)	(W)		(CFM)	(mmH ₂ O)		
DB3007S05H	S	5	3.5~5.5	0.16	0.80	8500	1.25	3.12	29.8	6
DB3007S05M	S	5	3.5~5.5	0.14	0.70	7000	0.98	2.76	27.5	6
DB3007S05L	S	5	3.5~5.5	0.10	0.50	5500	0.84	1.85	24.6	6
DB3007S12H	S	12	7.0~13.8	0.07	0.84	8000	1.25	3.12	29.8	6
DB3007S12M	S	12	7.0~13.8	0.05	0.60	6500	0.98	2.76	27.5	6
DB3007S12L	S	12	7.0~13.8	0.03	0.36	5500	0.84	1.85	24.6	6

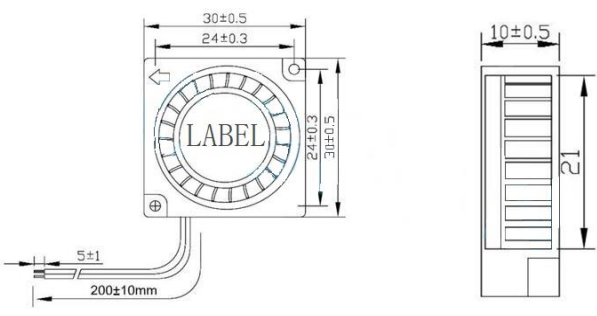
Notes: Specifications subject to change without notice! Bearing Type: S=Sleeve ;B= Dual ball; H=Hypro

PRODUCTION INFORMATION

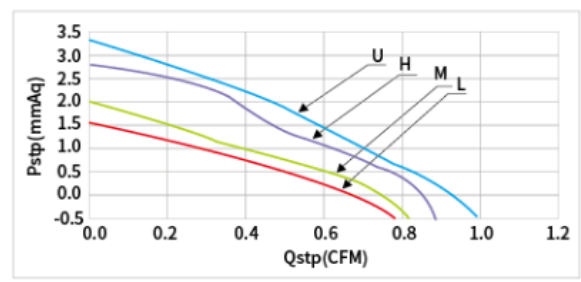
DC Brushless Blower Fan
30x30x10mm Series
Bearing Type: Sleeve, Ball, Hypro
Material: Plastic PBT (UL 94V-0)
Voltage : 5V 12V available



DIMENSION DRAWING (Unit:mm)



FAN PERFORMANCE CURVE FLOWRATE CFM



AVAILABLE FAN FUNCTIONS

1. 马达保护 (Motor protection)

RP	SS	LP	CL	OVP
●	●	●	●	○

1. 信号输出 (Signal out put)

FG	RD	RDB	LD	
●	●	●	●	

1. 调速方式 (Speed control mode)

PWM	TC	VC	CC	CS
●	●	●	●	●



SPECIFICATIONS: 30x30x10mm Blower Fan

Model No.	Bearing Type	Rated	Operation	Rated	Input	Speed (RPM)	Air Flow (CFM)	Static Pressure (mmH ₂ O)	Noise dB(A)	Weight (g)
	Ball & Sleeve	Voltage	Voltage	Current	Power					
	(B/S/H)	(V)	(V)	(A)	(W)					
DB3010S05H	S	5	3.5~5.5	0.14	0.70	8000	1.31	4.35	29.6	8
DB3010S05M	S	5	3.5~5.5	0.08	0.40	6500	1.15	3.15	25.5	8
DB3010S05L	S	5	3.5~5.5	0.06	0.30	5500	0.88	2.08	22.8	8
DB3010B05H	B	5	3.5~5.5	0.14	0.70	8000	1.31	4.35	29.6	8
DB3010B05M	B	5	3.5~5.5	0.08	0.40	6500	1.15	3.15	25.5	8
DB4020B05L	B	5	3.5~5.5	0.06	0.30	5500	0.88	2.08	22.8	8
DB3010S12H	S	12	7.0~13.8	0.08	0.96	8000	1.31	4.35	29.6	8
DB3010S12M	S	12	7.0~13.8	0.06	0.72	6500	1.15	3.15	25.5	8
DB3010S12L	S	12	7.0~13.8	0.04	0.48	5500	0.88	2.08	22.8	8
DB3010B12H	B	12	7.0~13.8	0.08	0.96	8000	1.31	4.35	29.6	8
DB3010B12M	B	12	7.0~13.8	0.06	0.72	6500	1.15	3.15	25.5	8
DB3010B12L	B	12	7.0~13.8	0.04	0.48	5500	0.88	2.08	22.8	8

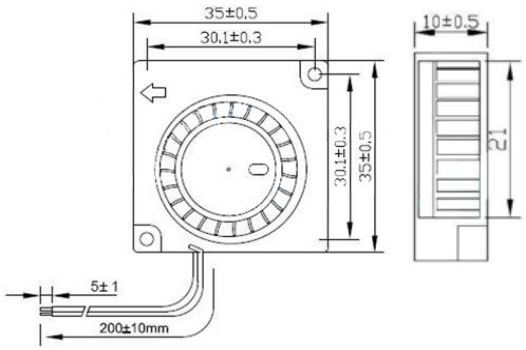
Notes: Specifications subject to change without notice! Bearing Type: S=Sleeve ;B= Dual ball; H=Hypro

PRODUCTION INFORMATION

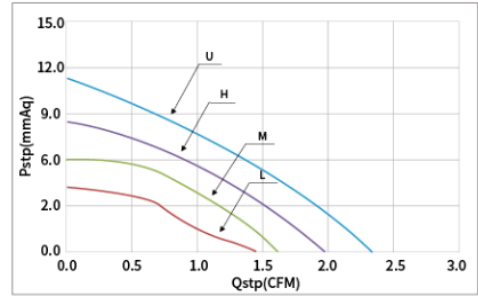
DC Brushless Blower Fan
35x35x10mm Series
Bearing Type: Sleeve, Ball, Hypro
Material: Plastic PBT (UL 94V-0)
Voltage : 5V 12V available



DIMENSION DRAWING (Unit:mm)



FAN PERFORMANCE CURVE FLOWRATE CFM



AVAILABLE FAN FUNCTIONS

1. 马达保护 (Motor protection)

RP	SS	LP	CL	OVP
●	●	●	●	○

1. 信号输出 (Signal out put)

FG	RD	RDB	LD	
●	●	●	●	

1. 调速方式 (Speed control mode)

PWM	TC	VC	CC	CS
●	●	●	●	●



SPECIFICATIONS: 35x35x10mm Blower Fan

Model No.	Bearing Type	Rated	Operation	Rated	Input	Speed (RPM)	Air	Static	Noise dB(A)	Weight (g)
	Ball & Sleeve	Voltage	Voltage	Current	Power		Flow	Pressure		
	(B/S/H)	(V)	(V)	(A)	(W)		(CFM)	(mmH ₂ O)		
DB3510S05H	S	5	3.5~5.5	0.14	0.70	8000	1.86	6.94	34.8	10
DB3510S05M	S	5	3.5~5.5	0.09	0.45	6500	1.55	4.25	27.5	10
DB3510S05L	S	5	3.5~5.5	0.06	0.30	5500	1.38	2.68	23.4	10
DB3510B05H	B	5	3.5~5.5	0.14	0.70	8000	1.86	6.94	34.8	10
DB3510B05M	B	5	3.5~5.5	0.09	0.45	6500	1.55	4.25	27.5	10
DB3510B05L	B	5	3.5~5.5	0.06	0.30	5500	1.38	2.68	23.4	10
DB3510S12H	S	12	7.0~13.8	0.07	0.84	8000	1.86	6.94	34.8	10
DB3510S12M	S	12	7.0~13.8	0.05	0.60	6500	1.55	4.25	27.5	10
DB3510S12L	S	12	7.0~13.8	0.03	0.36	5500	1.38	2.68	23.4	10
DB3510B12H	B	12	7.0~13.8	0.07	0.84	8000	1.86	6.94	34.8	10
DB3510B12M	B	12	7.0~13.8	0.05	0.60	6500	1.55	4.25	27.5	10
DB3510B12L	B	12	7.0~13.8	0.03	0.36	5500	1.38	2.68	23.4	10

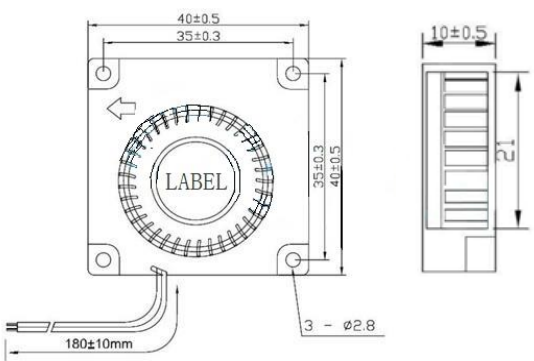
Notes: Specifications subject to change without notice! Bearing Type: S=Sleeve ;B= Dual ball; H=Hypro

PRODUCTION INFORMATION

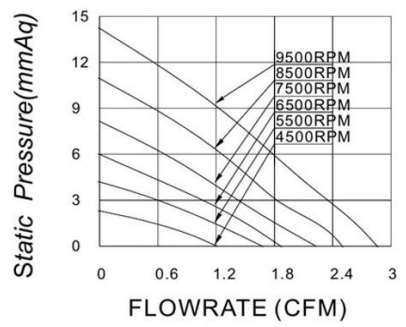
DC Brushless Blower Fan
40x40x10mm Series
Bearing Type: Sleeve, Ball, Hypro
Material: Plastic PBT (UL 94V-0)
Voltage : 5V 12V available



DIMENSION DRAWING (Unit:mm)



FAN PERFORMANCE CURVE FLOWRATE CFM



AVAILABLE FAN FUNCTIONS

1. 马达保护 (Motor protection)

RP	SS	LP	CL	OVP
●	●	●	●	○

1. 信号输出 (Signal out put)

FG	RD	RDB	LD	
●	●	●	●	

1. 调速方式 (Speed control mode)

PWM	TC	VC	CC	CS
●	●	●	●	●



SPECIFICATIONS: 40x40x10mm Blower Fan

Model No.	Bearing Type	Rated	Operation	Rated	Input	Speed (RPM)	Air Flow (CFM)	Static Pressure (mmH ₂ O)	Noise dB(A)	Weight (g)
	Ball & Sleeve	Voltage	Voltage	Current	Power					
	(B/S/H)	(V)	(V)	(A)	(W)					
DB4010S05H	S	5	3.5~5.5	0.22	1.10	8500	2.45	9.45	33.5	10
DB4010S05M	S	5	3.5~5.5	0.15	0.75	6500	1.68	4.95	26.5	10
DB4010S05L	S	5	3.5~5.5	0.08	0.40	4500	1.25	2.35	23.8	10
DB4010B05H	B	5	3.5~5.5	0.22	1.10	8500	2.45	9.45	33.5	10
DB4010B05M	B	5	3.5~5.5	0.15	0.75	6500	1.68	4.95	26.5	10
DB4010B05L	B	5	3.5~5.5	0.08	0.40	4500	1.25	2.35	23.8	10
DB4010S12H	S	12	7.0~13.8	0.16	1.92	8500	2.45	9.45	33.5	10
DB4010S12M	S	12	7.0~13.8	0.12	1.44	6500	1.68	4.95	26.5	10
DB4010S12L	S	12	7.0~13.8	0.07	0.84	4500	1.25	2.35	23.8	10
DB4010B12H	B	12	7.0~13.8	0.16	1.92	8500	2.45	9.45	33.5	10
DB4010B12M	B	12	7.0~13.8	0.12	1.44	6500	1.68	4.95	26.5	10
DB4010B12L	B	12	7.0~13.8	0.07	0.84	4500	1.25	2.35	23.8	10

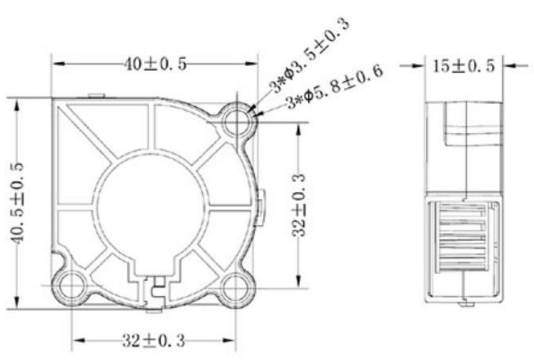
Notes: Specifications subject to change without notice! Bearing Type: S=Sleeve ;B= Dual ball; H=Hypro

PRODUCTION INFORMATION

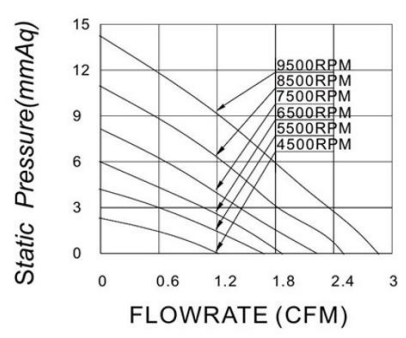
DC Brushless Blower Fan
40x40x15mm Series
Bearing Type: Sleeve, Ball, Hypro
Material: Plastic PBT (UL 94V-0)
Voltage : 5V 12V available



DIMENSION DRAWING (Unit:mm)



FAN PERFORMANCE CURVE FLOWRATE CFM



AVAILABLE FAN FUNCTIONS

1. 马达保护 (Motor protection)

RP	SS	LP	CL	OVP
●	●	●	●	○

1. 信号输出 (Signal out put)

FG	RD	RDB	LD	
●	●	●	●	

1. 调速方式 (Speed control mode)

PWM	TC	VC	CC	CS
●	●	●	●	●



SPECIFICATIONS: 40x40x15mm Blower Fan

Model No.	Bearing Type	Rated	Operation	Rated	Input	Speed (RPM)	Air	Static	Noise dB(A)	Weight (g)
	Ball & Sleeve	Voltage	Voltage	Current	Power		Flow	Pressure		
	(B/S/H)	(V)	(V)	(A)	(W)		(CFM)	(mmH ₂ O)		
DB4015S05H	S	5	3.5~5.5	0.22	1.10	9000	2.71	13.7	44.5	11
DB4015S05M	S	5	3.5~5.5	0.15	0.75	7000	1.97	7.15	37.5	11
DB4015S05L	S	5	3.5~5.5	0.08	0.40	5000	1.37	3.42	29.5	11
DB4015B05H	B	5	3.5~5.5	0.22	1.10	9000	2.71	13.7	44.5	11
DB4015B05M	B	5	3.5~5.5	0.15	0.75	7000	1.97	7.15	37.5	11
DB4015B05L	B	5	3.5~5.5	0.08	0.40	5000	1.37	3.42	29.5	11
DB4015S12H	S	12	7.0~13.8	0.09	1.08	9000	2.71	13.7	44.5	11
DB4015S12M	S	12	7.0~13.8	0.06	0.72	7000	1.97	7.15	37.5	11
DB4015S12L	S	12	7.0~13.8	0.04	0.48	5000	1.37	3.42	29.5	11
DB4015B12H	B	12	7.0~13.8	0.09	1.08	9000	2.71	13.7	44.5	11
DB4015B12M	B	12	7.0~13.8	0.06	0.72	7000	1.97	7.15	37.5	11
DB4015B12L	B	12	7.0~13.8	0.04	0.48	5000	1.37	3.42	29.5	11

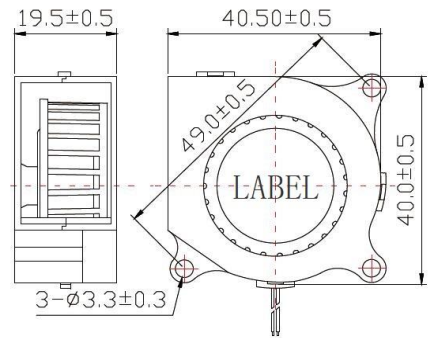
Notes: Specifications subject to change without notice! Bearing Type: S=Sleeve ;B= Dual ball; H=Hypro

PRODUCTION INFORMATION

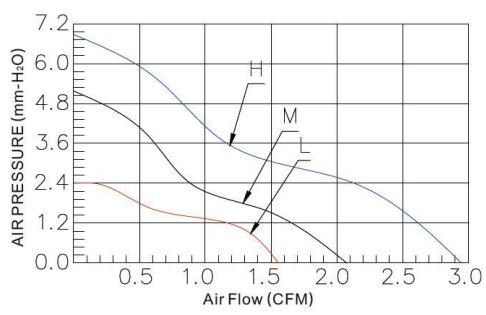
DC Brushless Blower Fan
40x40x20mm Series
Bearing Type: Sleeve, Ball, Hypro
Material: Plastic PBT (UL 94V-0)
Voltage : 5V 12V available



DIMENSION DRAWING (Unit:mm)



FAN PERFORMANCE CURVE FLOWRATE CFM



AVAILABLE FAN FUNCTIONS

1. 马达保护 (Motor protection)

RP	SS	LP	CL	OVP
●	●	●	●	○

1. 信号输出 (Signal out put)

FG	RD	RDB	LD	
●	●	●	●	

1. 调速方式 (Speed control mode)

PWM	TC	VC	CC	CS
●	●	●	●	●



SPECIFICATIONS: 40x40x20mm Blower Fan

Model No.	Bearing Type	Rated	Operation	Rated	Input	Speed (RPM)	Air Flow (CFM)	Static Pressure (mmH ₂ O)	Noise dB(A)	Weight (g)
	Ball & Sleeve	Voltage	Voltage	Current	Power					
	(B/S/H)	(V)	(V)	(A)	(W)					
DB4020S05H	S	5	3.5~5.5	0.28	1.40	6000	2.86	5.22	34.5	29
DB4020S05M	S	5	3.5~5.5	0.22	1.10	5000	2.28	3.35	29.8	29
DB4020S05L	S	5	3.5~5.5	0.16	0.80	4000	1.92	2.56	25.5	29
DB4020B05H	B	5	3.5~5.5	0.28	1.40	6000	2.86	5.22	34.5	29
DB4020B05M	B	5	3.5~5.5	0.22	1.10	5000	2.28	3.35	29.8	29
DB4020B05L	B	5	3.5~5.5	0.16	0.80	4000	1.92	2.56	25.5	29
DB4020S12H	S	12	7.0~13.8	0.15	1.80	6000	2.86	5.22	34.5	29
DB4020S12M	S	12	7.0~13.8	0.11	1.32	5000	2.28	3.35	29.8	29
DB4020S12L	S	12	7.0~13.8	0.07	0.84	4000	1.92	2.56	25.5	29
DB4020B12H	B	12	7.0~13.8	0.15	1.80	6000	2.86	5.22	34.5	29
DB4020B12M	B	12	7.0~13.8	0.11	1.32	5000	2.28	3.35	29.8	29
DB4020B12L	B	12	7.0~13.8	0.07	0.84	4000	1.92	2.56	25.5	29

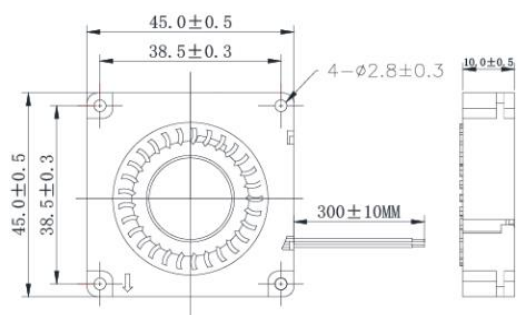
Notes: Specifications subject to change without notice! Bearing Type: S=Sleeve ;B= Dual ball; H=Hypro

PRODUCTION INFORMATION

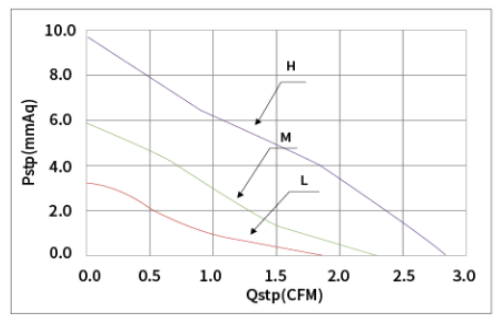
DC Brushless Blower Fan
45x45x10mm Series
Bearing Type: Sleeve, Ball, Hypro
Material: Plastic PBT (UL 94V-0)
Voltage : 5V 12V available



DIMENSION DRAWING (Unit:mm)



FAN PERFORMANCE CURVE FLOWRATE CFM



AVAILABLE FAN FUNCTIONS

1. 马达保护 (Motor protection)

RP	SS	LP	CL	OVP
●	●	●	●	○

1. 信号输出 (Signal out put)

FG	RD	RDB	LD	
●	●	●	●	

1. 调速方式 (Speed control mode)

PWM	TC	VC	CC	CS
●	●	●		



SPECIFICATIONS: 45x45x10mm Blower Fan

Model No.	Bearing Type	Rated	Operation	Rated	Input	Speed (RPM)	Air	Static	Noise dB(A)	Weight (g)
	Ball & Sleeve	Voltage	Voltage	Current	Power		Flow	Pressure		
	(B/S/H)	(V)	(V)	(A)	(W)		(CFM)	(mmH ₂ O)		
DB4510S05H	S	5	3.5~5.5	0.15	0.75	5500	2.78	9.84	31.6	12
DB4510S05M	S	5	3.5~5.5	0.12	0.60	4500	2.32	5.91	26.8	12
DB4510S05L	S	5	3.5~5.5	0.10	0.50	3500	1.82	3.24	21.5	12
DB4510B05H	B	5	3.5~5.5	0.15	0.75	5500	2.78	9.84	31.6	12
DB4510B05M	B	5	3.5~5.5	0.12	0.60	4500	2.32	5.91	26.8	12
DB4510B05L	B	5	3.5~5.5	0.09	0.50	3500	1.82	3.24	21.5	12
DB4510S12H	S	12	7.0~13.8	0.10	1.20	5500	2.78	9.84	31.6	12
DB4510S12M	S	12	7.0~13.8	0.07	0.84	4500	2.32	5.91	26.8	12
DB4510S12L	S	12	7.0~13.8	0.05	0.60	3500	1.82	3.24	21.5	12
DB4510B12H	B	12	7.0~13.8	0.10	1.20	5500	2.78	9.84	31.6	12
DB4510B12M	B	12	7.0~13.8	0.07	0.84	4500	2.32	5.91	26.8	12
DB4510B12L	B	12	7.0~13.8	0.05	0.60	3500	1.82	3.24	21.5	12

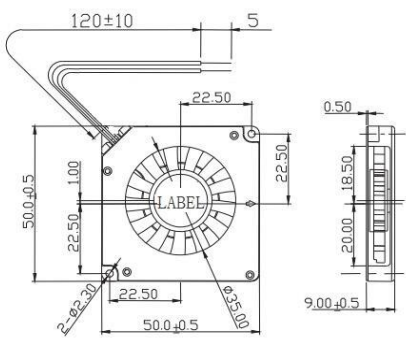
Notes: Specifications subject to change without notice! Bearing Type: S=Sleeve ;B= Dual ball; H=Hypro

PRODUCTION INFORMATION

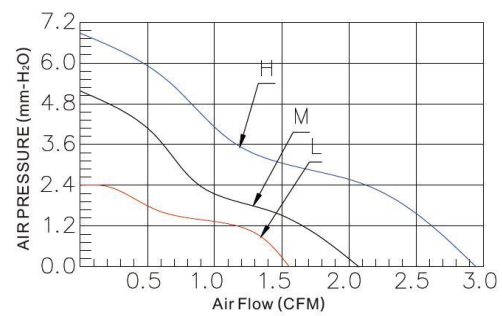
DC Brushless Blower Fan
50x50x10mm Series
Bearing Type: Sleeve, Ball, Hypro
Material: Plastic PBT (UL 94V-0)
Voltage : 5V 12V available



DIMENSION DRAWING (Unit:mm)



FAN PERFORMANCE CURVE FLOWRATE CFM



AVAILABLE FAN FUNCTIONS

1. 马达保护 (Motor protection)

RP	SS	LP	CL	OVP
●	●	●	●	○

1. 信号输出 (Signal out put)

FG	RD	RDB	LD	
●	●	●	●	

1. 调速方式 (Speed control mode)

PWM	TC	VC	CC	CS
●	●	●		

SPECIFICATIONS: 50x50x10mm Blower Fan

Model No.	Bearing Type	Rated	Operation	Rated	Input	Speed (RPM)	Air Flow (CFM)	Static Pressure (mmH ₂ O)	Noise dB(A)	Weight (g)
	Ball & Sleeve	Voltage	Voltage	Current	Power					
	(B/S/H)	(V)	(V)	(A)	(W)					
DB5010S05H	S	5	3.5~5.5	0.25	1.25	5500	2.92	7.98	32.5	16
DB5010S05M	S	5	3.5~5.5	0.20	1.00	4500	2.36	5.64	27.8	16
DB5010S05L	S	5	3.5~5.5	0.15	0.75	3500	1.85	3.55	22.5	16
DB5010B05H	B	5	3.5~5.5	0.25	1.25	5500	2.92	7.98	32.5	16
DB5010B05M	B	5	3.5~5.5	0.20	1.00	4500	2.36	5.64	27.8	16
DB5010B05L	B	5	3.5~5.5	0.15	0.75	3500	1.85	3.55	22.5	16
DB5010S12H	S	12	7.0~13.8	0.12	1.44	5500	2.92	7.98	32.5	16
DB5010S12M	S	12	7.0~13.8	0.09	1.08	4500	2.36	5.64	27.8	16
DB5010S12L	S	12	7.0~13.8	0.06	0.72	3500	1.85	3.55	22.5	16
DB5010B12H	B	12	7.0~13.8	0.12	1.44	5500	2.92	7.98	32.5	16
DB5010B12M	B	12	7.0~13.8	0.09	1.08	4500	2.36	5.64	27.8	16
DB5010B12L	B	12	7.0~13.8	0.06	0.72	3500	1.85	3.55	22.5	16

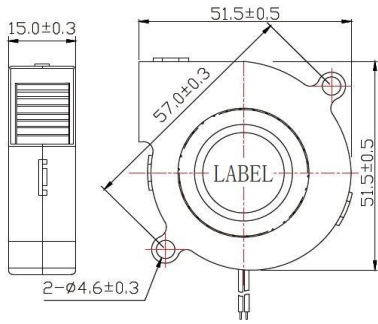
Notes: Specifications subject to change without notice! Bearing Type: S=Sleeve ;B= Dual ball; H=Hypro

PRODUCTION INFORMATION

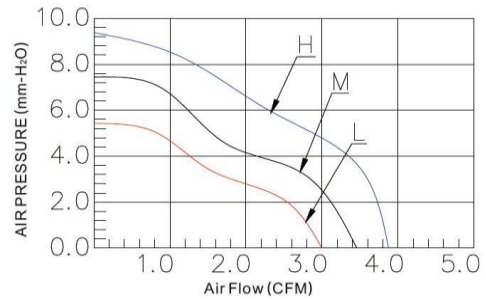
DC Brushless Blower Fan
50x50x15mm Series
Bearing Type: Sleeve, Ball, Hypro
Material: Plastic PBT (UL 94V-0)
Voltage : 5V 12V 24V available



DIMENSION DRAWING (Unit:mm)



FAN PERFORMANCE CURVE FLOWRATE CFM



AVAILABLE FAN FUNCTIONS

1. 马达保护 (Motor protection)

RP	SS	LP	CL	OVP
●	●	●	●	○

1. 信号输出 (Signal out put)

FG	RD	RDB	LD	
●	●	●	●	

1. 调速方式 (Speed control mode)

PWM	TC	VC	CC	CS
●	●	●		

SPECIFICATIONS: 50x50x15mm Blower Fan

Model No.	Bearing Type	Rated	Operation	Rated	Input	Speed (RPM)	Air	Static	Noise dB(A)	Weight (g)
	Ball & Sleeve	Voltage	Voltage	Current	Power		Flow	Pressure		
	(B/S/H)	(V)	(V)	(A)	(W)		(CFM)	(mmH ₂ O)		
DB5015S05H	S	5	3.5~5.5	0.30	1.50	4500	3.25	9.15	35.5	25
DB5015S05M	S	5	3.5~5.5	0.25	1.25	4000	2.76	7.66	32.8	25
DB5015S05L	S	5	3.5~5.5	0.18	0.90	3500	1.98	5.45	30.5	25
DB5015B05H	B	5	3.5~5.5	0.30	1.50	4500	3.25	9.15	35.5	25
DB5015B05M	B	5	3.5~5.5	0.25	1.25	4000	2.76	7.66	32.8	25
DB5015B05L	B	5	3.5~5.5	0.18	0.90	3500	1.98	5.45	30.5	25
DB5015S12H	S	12	7.0~13.8	0.17	2.04	4500	3.25	9.15	35.5	25
DB5015S12M	S	12	7.0~13.8	0.13	1.56	4000	2.76	7.66	32.8	25
DB5015S12L	S	12	7.0~13.8	0.10	1.20	3500	1.98	5.45	30.5	25
DB5015B12H	B	12	7.0~13.8	0.17	2.04	4500	3.25	9.15	35.5	25
DB5015B12M	B	12	7.0~13.8	0.13	1.56	4000	2.76	7.66	32.8	25
DB5015B12L	B	12	7.0~13.8	0.10	1.20	3500	1.98	5.45	30.5	25

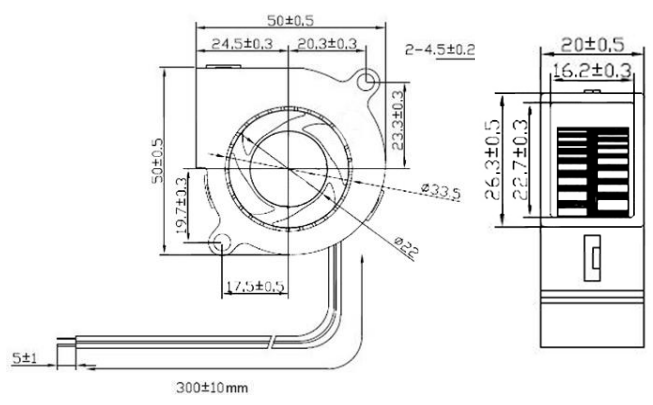
Notes: Specifications subject to change without notice! Bearing Type: S=Sleeve ;B= Dual ball; H=Hypro

PRODUCTION INFORMATION

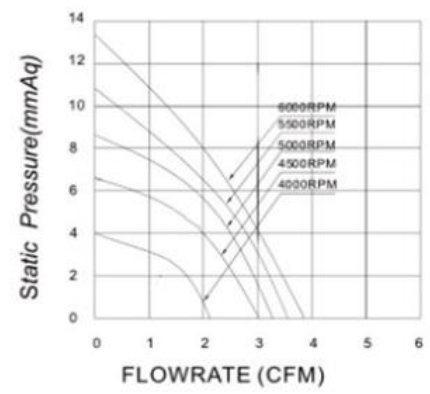
DC Brushless Blower Fan
50x50x20mm Series
Bearing Type: Sleeve, Ball, Hypro
Material: Plastic PBT (UL 94V-0)
Voltage : 5V 12V 24V available



DIMENSION DRAWING (Unit:mm)



FAN PERFORMANCE CURVE FLOWRATE CFM



AVAILABLE FAN FUNCTIONS

1. 马达保护 (Motor protection)

RP	SS	LP	CL	OVP
●	●	●	●	○

1. 信号输出 (Signal out put)

FG	RD	RDB	LD	
●	●	●	●	

1. 调速方式 (Speed control mode)

PWM	TC	VC	CC	CS
●	●	●		



SPECIFICATIONS: 50x50x20mm Blower Fan

Model No.	Bearing Type	Rated	Operation	Rated	Input	Speed (RPM)	Air	Static	Noise dB(A)	Weight (g)
	Ball & Sleeve	Voltage	Voltage	Current	Power		Flow	Pressure		
	(B/S/H)	(V)	(V)	(A)	(W)		(CFM)	(mmH ₂ O)		
DB5020S05H	S	5	3.5~5.5	0.35	1.75	5000	3.36	8.55	38.9	30
DB5020S05M	S	5	3.5~5.5	0.30	1.50	4500	2.93	6.62	34.3	30
DB5020S05L	S	5	3.5~5.5	0.24	1.20	4000	2.12	4.05	31.2	30
DB5020B05H	B	5	3.5~5.5	0.35	1.75	5000	3.36	8.55	38.9	30
DB5020B05M	B	5	3.5~5.5	0.30	1.50	4500	2.93	6.22	34.3	30
DB5020B05L	B	5	3.5~5.5	0.24	1.20	4000	2.12	4.05	31.2	30
DB5020S12H	S	12	7.0~13.8	0.15	1.80	5000	3.36	8.55	38.9	30
DB5020S12M	S	12	7.0~13.8	0.12	1.44	4500	2.93	6.62	34.3	30
DB5020S12L	S	12	7.0~13.8	0.10	1.20	4000	2.12	4.05	31.2	30
DB5020B12H	B	12	7.0~13.8	0.15	1.80	5000	3.36	8.55	38.9	30
DB5020B12M	B	12	7.0~13.8	0.12	1.44	4500	2.93	6.22	34.3	30
DB5020B12L	B	12	7.0~13.8	0.10	1.20	4000	2.12	4.05	31.2	30

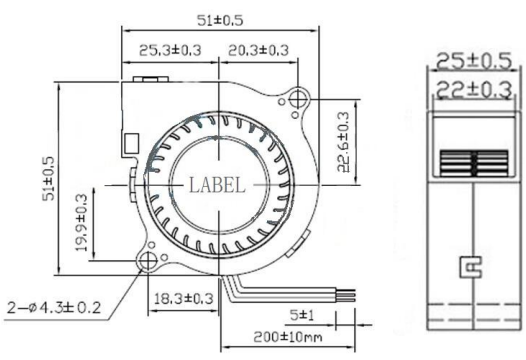
Notes: Specifications subject to change without notice! Bearing Type: S=Sleeve ;B= Dual ball; H=Hypro

PRODUCTION INFORMATION

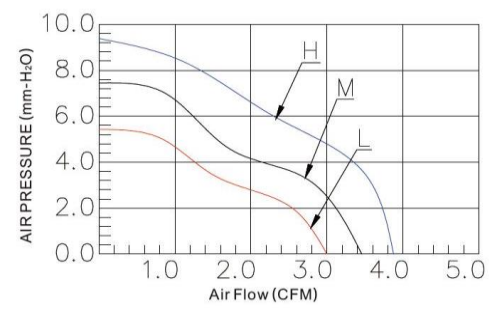
DC Brushless Blower Fan
50x50x25mm Series
Bearing Type: Sleeve, Ball, Hypro
Material: Plastic PBT (UL 94V-0)
Voltage : 5V 12V 24V available



DIMENSION DRAWING (Unit:mm)



FAN PERFORMANCE CURVE FLOWRATE CFM

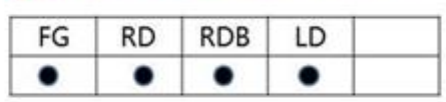


AVAILABLE FAN FUNCTIONS

1. 马达保护 (Motor protection)



1. 信号输出 (Signal out put)



1. 调速方式 (Speed control mode)



YOFOLON SPECIFICATIONS: 50x50x25mm Blower Fan

Model No.	Bearing Type	Rated	Operation	Rated	Input	Speed (RPM)	Air	Static	Noise dB(A)	Weight (g)
	Ball & Sleeve	Voltage	Voltage	Current	Power		Flow	Pressure		
	(B/S/H)	(V)	(V)	(A)	(W)		(CFM)	(mmH ₂ O)		
DB5025S05H	S	5	3.5~5.5	0.32	1.60	4000	4.15	9.88	38.5	32
DB5025S05M	S	5	3.5~5.5	0.22	1.10	3500	3.65	7.46	35.4	32
DB5025S05L	S	5	3.5~5.5	0.16	0.80	3000	3.06	4.65	32.5	32
DB5025B05H	B	5	3.5~5.5	0.32	1.60	4000	4.15	9.88	38.5	32
DB5025B05M	B	5	3.5~5.5	0.22	1.10	3500	3.65	7.46	35.4	32
DB5025B05L	B	5	3.5~5.5	0.16	0.80	3000	3.06	4.65	32.5	32
DB5025S12H	S	12	7.0~13.8	0.15	1.80	4000	4.15	9.88	38.5	32
DB5025S12M	S	12	7.0~13.8	0.11	1.32	3500	3.65	7.46	35.4	32
DB5025S12L	S	12	7.0~13.8	0.08	0.96	3000	3.06	4.65	32.5	32
DB5025B12H	B	12	7.0~13.8	0.15	1.80	4000	4.15	9.88	38.5	32
DB5025B12M	B	12	7.0~13.8	0.11	1.32	3500	3.65	7.46	35.4	32
DB5025B12L	B	12	7.0~13.8	0.08	0.96	3000	3.06	4.65	32.5	32

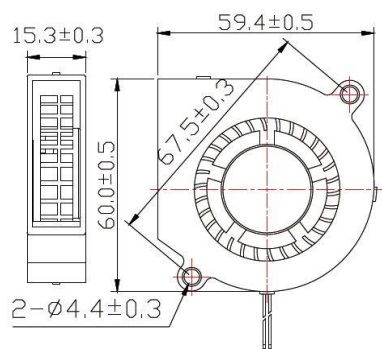
Notes: Specifications subject to change without notice! Bearing Type: S=Sleeve ;B= Dual ball; H=Hypro

PRODUCTION INFORMATION

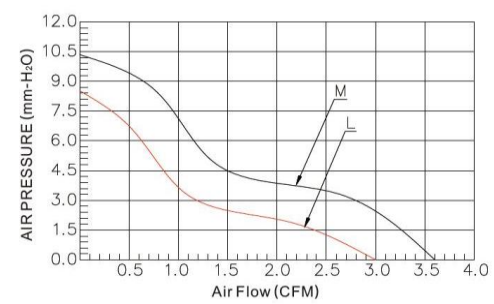
DC Brushless Blower Fan
60x60x15mm Series
Bearing Type: Sleeve, Ball, Hypro
Material: Plastic PBT (UL 94V-0)
Voltage : 5V 12V 24V available



DIMENSION DRAWING (Unit:mm)



FAN PERFORMANCE CURVE FLOWRATE CFM



AVAILABLE FAN FUNCTIONS

1. 马达保护 (Motor protection)

RP	SS	LP	CL	OVP
●	●	●	●	○

1. 信号输出 (Signal out put)

FG	RD	RDB	LD	
●	●	●	●	

1. 调速方式 (Speed control mode)

PWM	TC	VC	CC	CS
●	●	●		



SPECIFICATIONS: 60x60x15mm Blower Fan

Model No.	Bearing Type	Rated	Operation	Rated	Input	Speed (RPM)	Air	Static	Noise dB(A)	Weight (g)
	Ball & Sleeve	Voltage	Voltage	Current	Power		Flow	Pressure		
	(B/S/H)	(V)	(V)	(A)	(W)		(CFM)	(mmH ₂ O)		
DB6015S05H	S	5	3.5~5.5	0.34	1.70	4200	4.85	11.36	37.6	35
DB6015S05M	S	5	3.5~5.5	0.24	1.20	3500	3.88	10.12	33.2	35
DB6015S05L	S	5	3.5~5.5	0.15	0.75	2800	3.12	7.98	28.5	35
DB6015B05H	B	5	3.5~5.5	0.34	1.70	4200	4.85	11.36	37.6	35
DB6015B05M	B	5	3.5~5.5	0.24	1.20	3500	3.88	10.12	33.2	35
DB6015B05L	B	5	3.5~5.5	0.15	0.75	2800	3.12	7.98	28.5	35
DB6015S12H	S	12	7.0~13.8	0.22	2.64	4200	4.85	11.36	37.6	35
DB6015S12M	S	12	7.0~13.8	0.18	2.16	3500	3.88	10.12	33.2	35
DB6015S12L	S	12	7.0~13.8	0.14	1.68	2800	3.12	7.98	28.5	35
DB6015B12H	B	12	7.0~13.8	0.22	2.64	4200	4.85	11.36	37.6	35
DB6015B12M	B	12	7.0~13.8	0.18	2.16	3500	3.88	10.12	33.2	35
DB6015B12L	B	12	7.0~13.8	0.14	1.68	2800	3.12	7.98	28.5	35

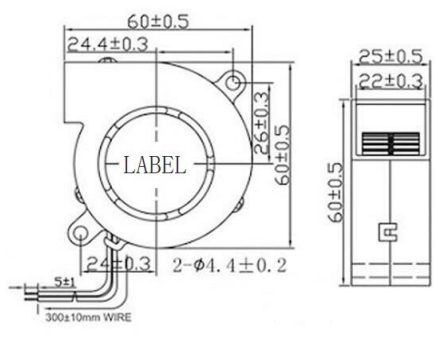
Notes: Specifications subject to change without notice! Bearing Type: S=Sleeve ;B= Dual ball; H=Hypro

PRODUCTION INFORMATION

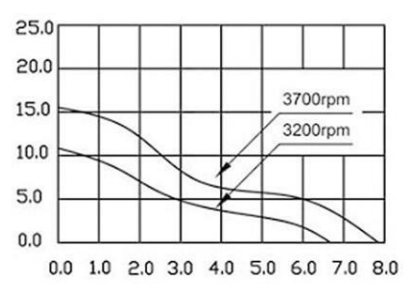
DC Brushless Blower Fan
60x60x25mm Series
Bearing Type: Sleeve, Ball, Hypro
Material: Plastic PBT (UL 94V-0)
Voltage : 5V 12V 24V available



DIMENSION DRAWING (Unit:mm)



FAN PERFORMANCE CURVE FLOWRATE CFM



AVAILABLE FAN FUNCTIONS

1. 马达保护 (Motor protection)

RP	SS	LP	CL	OVP
●	●	●	●	○

1. 信号输出 (Signal out put)

FG	RD	RDB	LD	
●	●	●	●	

1. 调速方式 (Speed control mode)

PWM	TC	VC	CC	CS
●	●	●		



SPECIFICATIONS: 60x60x25mm Blower Fan

Model No.	Bearing Type	Rated	Operation	Rated	Input	Speed (RPM)	Air	Static	Noise dB(A)	Weight (g)
	Ball & Sleeve	Voltage	Voltage	Current	Power		Flow	Pressure		
	(B/S/H)	(V)	(V)	(A)	(W)		(CFM)	(mmH ₂ O)		
DB6025S05H	S	5	3.5~5.5	0.48	2.40	3700	7.68	13.25	38.5	45
DB6025S05M	S	5	3.5~5.5	0.38	1.90	3200	6.35	9.65	33.5	45
DB6025S05L	S	5	3.5~5.5	0.28	1.40	2700	5.12	6.15	28.6	45
DB6025B05H	B	5	3.5~5.5	0.48	2.40	3700	7.68	13.25	38.5	45
DB6025B05M	B	5	3.5~5.5	0.38	1.90	3200	6.35	9.65	33.5	45
DB6025B05L	B	5	3.5~5.5	0.28	1.40	2700	5.12	6.15	28.6	45
DB6025S12H	S	12	7.0~13.8	0.20	2.40	3700	7.68	13.25	38.5	45
DB6025S12M	S	12	7.0~13.8	0.16	1.92	3200	6.35	9.65	33.5	45
DB6025S12L	S	12	7.0~13.8	0.12	1.44	2700	5.12	6.15	28.6	45
DB6025B12H	B	12	7.0~13.8	0.20	2.40	3700	7.68	13.25	38.5	45
DB6025B12M	B	12	7.0~13.8	0.16	1.92	3200	6.35	9.65	33.5	45
DB6025B12L	B	12	7.0~13.8	0.12	1.40	2700	5.12	6.15	28.6	45

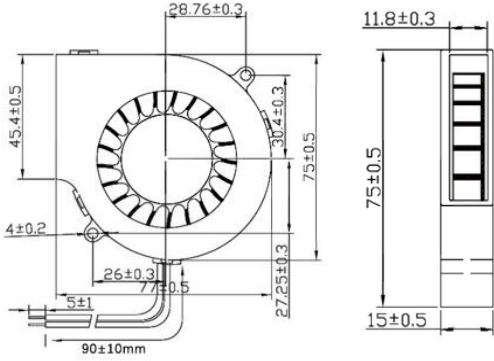
Notes: Specifications subject to change without notice! Bearing Type: S=Sleeve ;B= Dual ball; H=Hypro

PRODUCTION INFORMATION

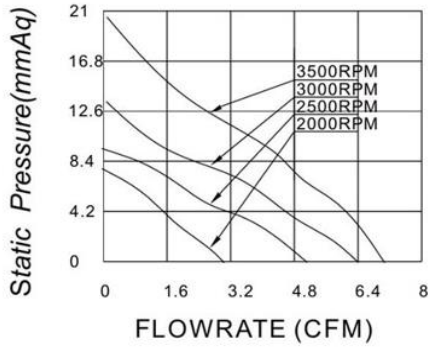
DC Brushless Blower Fan
75x75x15mm Series
Bearing Type: Sleeve, Ball, Hypro
Material: Plastic PBT (UL 94V-0)
Voltage : 12V 24V available



DIMENSION DRAWING (Unit:mm)



FAN PERFORMANCE CURVE FLOWRATE CFM



AVAILABLE FAN FUNCTIONS

1. 马达保护 (Motor protection)

RP	SS	LP	CL	OVP
●	●	●	●	○

1. 信号输出 (Signal out put)

FG	RD	RDB	LD	
●	●	●	●	

1. 调速方式 (Speed control mode)

PWM	TC	VC	CC	CS
●	●	●		



SPECIFICATIONS: 75x75x15mm Blower Fan

Model No.	Bearing Type	Rated	Operation	Rated	Input	Speed (RPM)	Air	Static	Noise dB(A)	Weight (g)
	Ball & Sleeve	Voltage	Voltage	Current	Power		Flow	Pressure		
	(B/S/H)	(V)	(V)	(A)	(W)		(CFM)	(mmH ₂ O)		
DB7515S12H	S	12	7.0~13.8	0.18	2.16	3500	7.22	20.45	44.5	53
DB7515S12M	S	12	7.0~13.8	0.16	1.92	3000	6.15	13.76	39.5	53
DB7515S12L	S	12	7.0~13.8	0.14	1.68	2500	5.12	9.25	35.4	53
DB7515B12H	B	12	7.0~13.8	0.18	2.16	3500	7.22	20.45	44.5	53
DB7515B12M	B	12	7.0~13.8	0.16	1.92	3000	6.15	13.76	39.5	53
DB7515B12L	B	12	7.0~13.8	0.14	1.68	2500	5.12	9.25	35.4	53
DB7515S24H	S	24	14.0~27.6	0.10	2.40	3500	7.22	20.45	44.5	53
DB7515S24M	S	24	14.0~27.6	0.08	1.92	3000	6.15	13.76	39.5	53
DB7515S24L	S	24	14.0~27.6	0.06	1.44	2500	5.12	9.25	35.4	53
DB7515B24H	B	24	14.0~27.6	0.10	2.40	3500	7.22	20.45	44.5	53
DB7515B24M	B	24	14.0~27.6	0.08	1.92	3000	6.15	13.76	39.5	53
DB7515B24L	B	24	14.0~27.6	0.06	1.44	2500	5.12	9.25	35.4	53

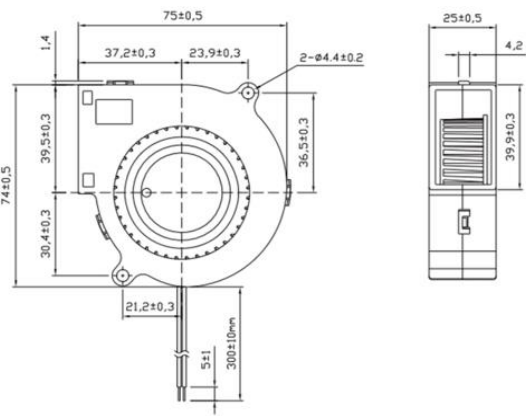
Notes: Specifications subject to change without notice! Bearing Type: S=Sleeve ;B= Dual ball; H=Hypro

PRODUCTION INFORMATION

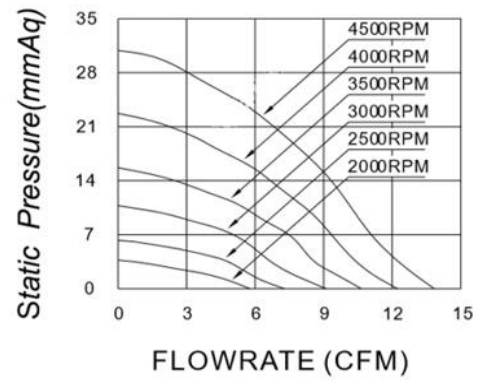
DC Brushless Blower Fan
75x75x25mm Series
Bearing Type: Sleeve, Ball, Hypro
Material: Plastic PBT (UL 94V-0)
Voltage : 12V 24V available



DIMENSION DRAWING (Unit:mm)



FAN PERFORMANCE CURVE FLOWRATE CFM



AVAILABLE FAN FUNCTIONS

1. 马达保护 (Motor protection)

RP	SS	LP	CL	OVP
●	●	●	●	○

1. 信号输出 (Signal out put)

FG	RD	RDB	LD	
●	●	●	●	

1. 调速方式 (Speed control mode)

PWM	TC	VC	CC	CS
●	●	●		



SPECIFICATIONS: 75x75x25mm Blower Fan

Model No.	Bearing Type	Rated	Operation	Rated	Input	Speed (RPM)	Air Flow (CFM)	Static Pressure (mmH ₂ O)	Noise dB(A)	Weight (g)
	Ball & Sleeve	Voltage	Voltage	Current	Power					
	(B/S/H)	(V)	(V)	(A)	(W)					
DB7525S12H	S	12	7.0~13.8	0.26	3.12	3500	10.15	15.36	45.3	65
DB7525S12M	S	12	7.0~13.8	0.17	2.04	3000	8.25	10.45	40.8	65
DB7525S12L	S	12	7.0~13.8	0.10	1.20	2500	7.02	6.12	35.6	65
DB7525B12H	B	12	7.0~13.8	0.26	3.12	3500	10.15	15.36	45.3	65
DB7525B12M	B	12	7.0~13.8	0.17	2.04	3000	8.25	10.45	40.8	65
DB7525B12L	B	12	7.0~13.8	0.10	1.20	2500	7.02	6.12	35.6	65
DB7525S24H	S	24	14.0~27.6	0.13	3.12	3500	10.15	15.36	45.3	65
DB7525S24M	S	24	14.0~27.6	0.09	2.16	3000	8.25	10.45	40.8	65
DB7525S24L	S	24	14.0~27.6	0.05	1.20	2500	7.02	6.12	35.6	65
DB7525B24H	B	24	14.0~27.6	0.13	3.12	3500	10.15	15.36	45.3	65
DB7525B24M	B	24	14.0~27.6	0.09	2.16	3000	8.25	10.45	40.8	65
DB7525B24L	B	24	14.0~27.6	0.05	1.20	2500	7.02	6.12	35.6	65

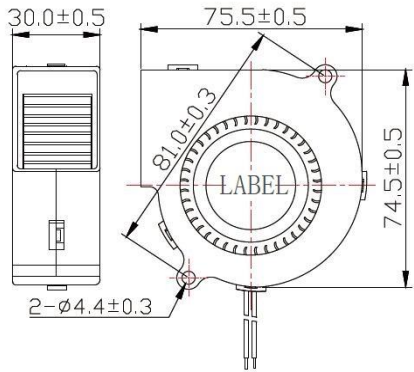
Notes: Specifications subject to change without notice! Bearing Type: S=Sleeve ;B= Dual ball; H=Hypro

PRODUCTION INFORMATION

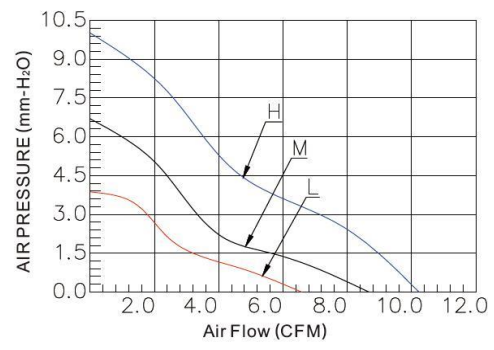
DC Brushless Blower Fan
75x75x30mm Series
Bearing Type: Sleeve, Ball, Hypro
Material: Plastic PBT (UL 94V-0)
Voltage : 12V 24V available



DIMENSION DRAWING (Unit:mm)



FAN PERFORMANCE CURVE FLOWRATE CFM



AVAILABLE FAN FUNCTIONS

1. 马达保护 (Motor protection)

RP	SS	LP	CL	OVP
●	●	●	●	○

1. 信号输出 (Signal out put)

FG	RD	RDB	LD	
●	●	●	●	

1. 调速方式 (Speed control mode)

PWM	TC	VC	CC	CS
●	●	●		

SPECIFICATIONS: 75x75x30mm Blower Fan

Model No.	Bearing Type	Rated	Operation	Rated	Input	Speed (RPM)	Air Flow (CFM)	Static Pressure (mmH ₂ O)	Noise dB(A)	Weight (g)
	Ball & Sleeve	Voltage	Voltage	Current	Power					
	(B/S/H)	(V)	(V)	(A)	(W)					
DB7530S12H	S	12	7.0~13.8	0.25	3.00	3200	10.55	9.82	39.5	76
DB7530S12M	S	12	7.0~13.8	0.17	2.04	2700	8.86	6.65	36.8	76
DB7530S12L	S	12	7.0~13.8	0.12	1.44	2200	7.15	3.92	32.6	76
DB7530B12H	B	12	7.0~13.8	0.25	3.00	3200	10.55	9.82	39.5	76
DB7530B12M	B	12	7.0~13.8	0.17	2.04	2700	8.86	6.65	36.8	76
DB7530B12L	B	12	7.0~13.8	0.12	1.44	2200	7.15	3.92	32.5	76
DB7530S24H	S	24	14.0~27.6	0.18	4.32	3200	10.55	9.82	39.5	76
DB7530S24M	S	24	14.0~27.6	0.14	3.36	2700	8.86	6.65	36.8	76
DB7530S24L	S	24	14.0~27.6	0.10	2.40	2200	7.15	3.92	32.6	76
DB7530B24H	B	24	14.0~27.6	0.18	4.32	3200	10.55	9.82	39.5	76
DB7530B24M	B	24	14.0~27.6	0.14	3.36	2700	8.86	6.65	36.8	76
DB7530B24L	B	24	14.0~27.6	0.10	2.40	2200	7.15	3.92	32.5	76

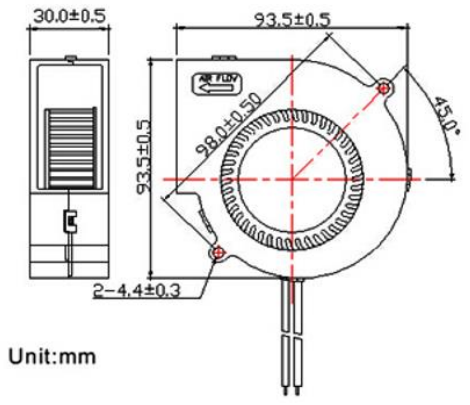
Notes: Specifications subject to change without notice! Bearing Type: S=Sleeve ;B= Dual ball; H=Hypro

PRODUCTION INFORMATION

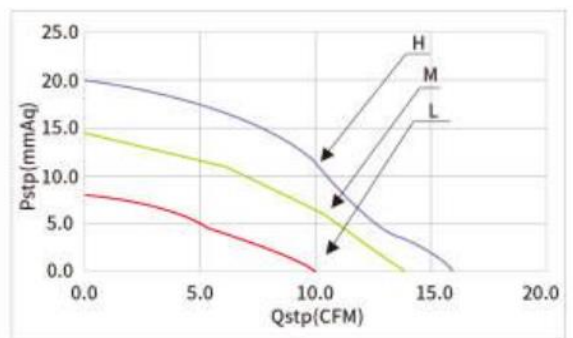
DC Brushless Blower Fan
93x93x30mm Series
Bearing Type: Sleeve, Ball, Hypro
Material: Plastic PBT (UL 94V-0)
Voltage : 12V 24V available



DIMENSION DRAWING (Unit:mm)



FAN PERFORMANCE CURVE FLOWRATE CFM



AVAILABLE FAN FUNCTIONS

1. 马达保护 (Motor protection)

RP	SS	LP	CL	OVP
●	●	●	●	○

1. 信号输出 (Signal out put)

FG	RD	RDB	LD	
●	●	●	●	

1. 调速方式 (Speed control mode)

PWM	TC	VC	CC	CS
●	●	●		

SPECIFICATIONS:93x93x30mm Blower Fan

Model No.	Bearing Type	Rated	Operation	Rated	Input	Speed (RPM)	Air	Static	Noise dB(A)	Weight (g)
	Ball & Sleeve	Voltage	Voltage	Current	Power		Flow	Pressure		
	(B/S/H)	(V)	(V)	(A)	(W)		(CFM)	(mmH ₂ O)		
DB9330S12H	S	12	7.0~13.8	0.45	5.40	3200	16.35	20.18	43.2	110
DB9330S12M	S	12	7.0~13.8	0.30	3.60	2700	14.15	14.65	40.6	110
DB9330S12L	S	12	7.0~13.8	0.20	2.40	2200	10.65	7.86	35.2	110
DB9330B12H	B	12	7.0~13.8	0.45	5.40	3200	16.35	20.18	43.2	110
DB9330B12M	B	12	7.0~13.8	0.30	3.60	2700	14.15	14.65	40.6	110
DB9330B12L	B	12	7.0~13.8	0.20	2.40	2200	10.65	7.86	35.2	110
DB9330S24H	S	24	14.0~27.6	0.25	6.00	3200	16.35	20.18	43.2	110
DB9330S24M	S	24	14.0~27.6	0.15	3.60	2700	14.15	14.65	40.6	110
DB9330S24L	S	24	14.0~27.6	0.10	2.40	2200	10.65	7.86	35.2	110
DB9330B24H	B	24	14.0~27.6	0.25	6.00	3200	16.35	20.18	43.2	110
DB9330B24M	B	24	14.0~27.6	0.15	3.60	2700	14.15	14.65	40.6	110
DB9330B24L	B	24	14.0~27.6	0.10	2.40	2200	10.65	7.86	35.2	110

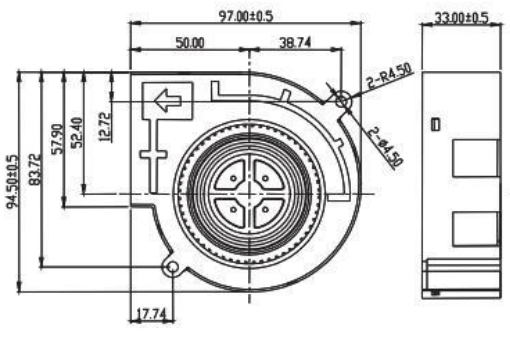
Notes: Specifications subject to change without notice! Bearing Type: S=Sleeve ;B= Dual ball; H=Hypro

PRODUCTION INFORMATION

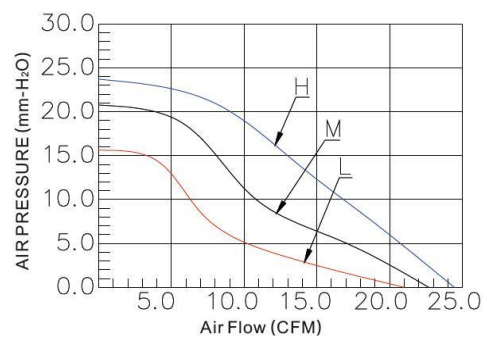
DC Brushless Blower Fan
97x97x33mm Series
Bearing Type: Sleeve, Ball, Hypro
Material: Plastic PBT (UL 94V-0)
Voltage : 12V 24V available



DIMENSION DRAWING (Unit:mm)



FAN PERFORMANCE CURVE FLOWRATE CFM



AVAILABLE FAN FUNCTIONS

1. 马达保护 (Motor protection)

RP	SS	LP	CL	OVP
●	●	●	●	○

1. 信号输出 (Signal out put)

FG	RD	RDB	LD	
●	●	●	●	

1. 调速方式 (Speed control mode)

PWM	TC	VC	CC	CS
●	●	●		



SPECIFICATIONS: 97x97x33mm Blower Fan

Model No.	Bearing Type	Rated	Operation	Rated	Input	Speed (RPM)	Air	Static	Noise dB(A)	Weight (g)
	Ball & Sleeve	Voltage	Voltage	Current	Power		Flow	Pressure		
	(B/S/H)	(V)	(V)	(A)	(W)		(CFM)	(mmH ₂ O)		
DB9733S12H	S	12	7.0~13.8	0.50	6.00	3600	24.96	22.35	48.2	164
DB9733S12M	S	12	7.0~13.8	0.36	4.32	3000	22.15	20.16	43.6	164
DB9733S12L	S	12	7.0~13.8	0.20	2.40	2500	19.65	15.42	36.2	164
DB9733B12H	B	12	7.0~13.8	0.50	6.00	3500	24.96	22.35	48.2	164
DB9733B12M	B	12	7.0~13.8	0.36	4.32	3000	22.15	20.16	43.6	164
DB9733B12L	B	12	7.0~13.8	0.20	2.40	2500	19.65	15.42	36.2	164
DB9733S24H	S	24	14.0~27.6	0.25	6.00	3600	24.96	22.35	48.2	164
DB9733S24M	S	24	14.0~27.6	0.18	4.32	3000	22.15	20.16	43.6	164
DB9733S24L	S	24	14.0~27.6	0.12	2.88	2500	19.65	15.42	36.2	164
DB9733B24H	B	24	14.0~27.6	0.25	6.00	3600	24.96	22.35	48.2	164
DB9733B24M	B	24	14.0~27.6	0.18	4.32	3000	22.15	20.16	43.6	164
DB9733B24L	B	24	14.0~27.6	0.12	2.88	2500	19.65	15.42	36.2	164

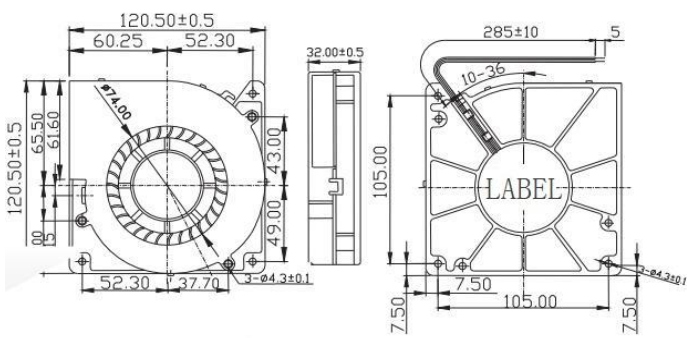
Notes: Specifications subject to change without notice! Bearing Type: S=Sleeve ;B= Dual ball; H=Hypro

PRODUCTION INFORMATION

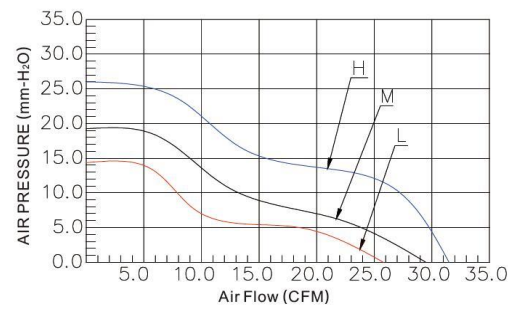
DC Brushless Blower Fan
120x120x32mm Series
Bearing Type: Sleeve, Ball, Hypro
Material: Plastic PBT (UL 94V-0)
Voltage : 12V 24V 48V available



DIMENSION DRAWING (Unit:mm)



FAN PERFORMANCE CURVE FLOWRATE CFM



AVAILABLE FAN FUNCTIONS

1. 马达保护 (Motor protection)

RP	SS	LP	CL	OVP
●	●	●	●	○

1. 信号输出 (Signal out put)

FG	RD	RDB	LD	
●	●	●	●	

1. 调速方式 (Speed control mode)

PWM	TC	VC	CC	CS
●	●	●		



SPECIFICATIONS: 120x120x32mm Blower Fan

Model No.	Bearing Type	Rated	Operation	Rated	Input	Speed (RPM)	Air	Static	Noise dB(A)	Weight (g)
	Ball & Sleeve	Voltage	Voltage	Current	Power		Flow	Pressure		
	(B/S/H)	(V)	(V)	(A)	(W)		(CFM)	(mmH ₂ O)		
DB1232S12H	S	12	7.0~13.8	0.60	7.20	2700	32.56	31.26	54.6	220
DB1232S12M	S	12	7.0~13.8	0.50	6.00	2200	25.85	25.15	48.2	220
DB1232S12L	S	12	7.0~13.8	0.35	4.20	1800	21.15	15.85	43.8	220
DB1232B12H	B	12	7.0~13.8	0.60	7.20	2500	32.56	31.26	54.6	220
DB1232B12M	B	12	7.0~13.8	0.50	6.00	2200	25.85	25.15	48.2	220
DB1232B12L	B	12	7.0~13.8	0.35	4.20	1800	21.15	15.85	43.8	220
DB1232S24H	S	24	14.0~27.6	0.32	7.68	2700	32.56	31.26	54.6	220
DB1232S24M	S	24	14.0~27.6	0.27	6.48	2200	25.85	25.15	48.2	220
DB1232S24L	S	24	14.0~27.6	0.22	5.28	1800	21.15	15.85	43.8	220
DB1232B24H	B	24	14.0~27.6	0.32	7.68	2700	32.56	31.26	54.6	220
DB1232B24M	B	24	14.0~27.6	0.27	6.48	2200	25.85	25.15	48.2	220
DB1232B24L	B	24	14.0~27.6	0.22	5.28	1800	21.15	15.85	43.8	220

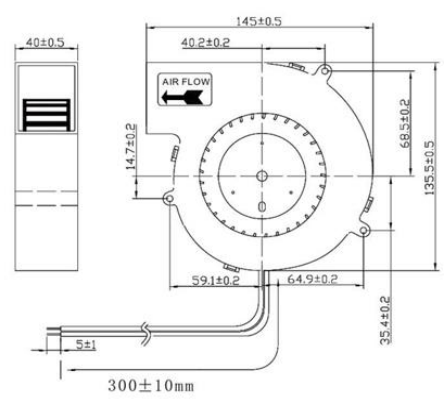
Notes: Specifications subject to change without notice! Bearing Type: S=Sleeve ;B= Dual ball; H=Hypro

PRODUCTION INFORMATION

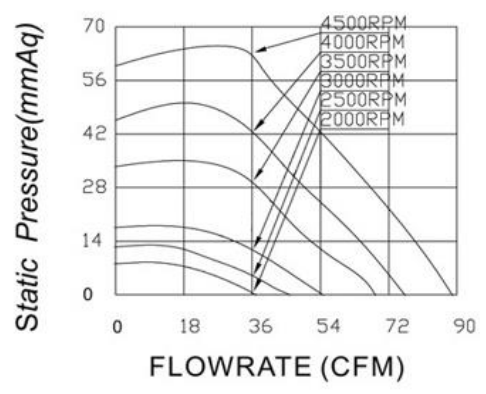
DC Brushless Blower Fan
145x135x40mm Series
Bearing Type: Sleeve, Ball, Hypro
Material: Plastic PBT (UL 94V-0)
Voltage : 12V 24V 48V available



DIMENSION DRAWING (Unit:mm)



FAN PERFORMANCE CURVE FLOWRATE CFM



AVAILABLE FAN FUNCTIONS

1. 马达保护 (Motor protection)

RP	SS	LP	CL	OVP
●	●	●	●	○

1. 信号输出 (Signal out put)

FG	RD	RDB	LD	
●	●	●	●	

1. 调速方式 (Speed control mode)

PWM	TC	VC	CC	CS
●	●	●		

YOFOLON SPECIFICATIONS: 145x135x40mm Blower Fan

Model No.	Bearing Type	Rated	Operation	Rated	Input	Speed (RPM)	Air	Static	Noise dB(A)	Weight (g)
	Ball & Sleeve	Voltage	Voltage	Current	Power		Flow	Pressure		
	(B/S/H)	(V)	(V)	(A)	(W)		(CFM)	(mmH ₂ O)		
DB14540S12H	S	12	7.0~13.8	1.80	21.60	3000	54.56	17.75	65.5	353
DB14540S12M	S	12	7.0~13.8	1.30	15.60	2500	45.62	12.21	60.3	353
DB14540S12L	S	12	7.0~13.8	0.70	8.40	2000	37.15	8.15	54.6	353
DB14540B12H	B	12	7.0~13.8	1.80	21.60	3000	54.56	17.75	65.5	353
DB14540B12M	B	12	7.0~13.8	1.30	15.60	2500	45.62	12.21	60.3	353
DB14540B12L	B	12	7.0~13.8	0.70	8.40	2000	37.15	8.15	54.6	353
DB14540S24H	S	24	14.0~27.6	0.80	19.20	3000	54.56	17.75	65.5	353
DB14540S24M	S	24	14.0~27.6	0.60	14.40	2500	45.62	12.21	60.3	353
DB14540S24L	S	24	14.0~27.6	0.30	7.20	2000	37.15	8.15	54.6	353
DB14540B24H	B	24	14.0~27.6	0.80	19.20	3000	54.56	17.75	65.5	353
DB14540B24M	B	24	14.0~27.6	0.60	14.40	2500	45.62	12.21	60.3	353
DB14540B24L	B	24	14.0~27.6	0.30	7.20	2000	37.15	8.15	54.6	353

Notes: Specifications subject to change without notice! Bearing Type: S=Sleeve ;B= Dual ball; H=Hypro